

# LPK24D Lightning Protection Unit

Protects scales with digital load cells from lightning



## Complete Protection From Lightning

- Protects people and facility.
- Protects weighing instruments.
- Protects Loadcells.
- Provides power-line surge protection.



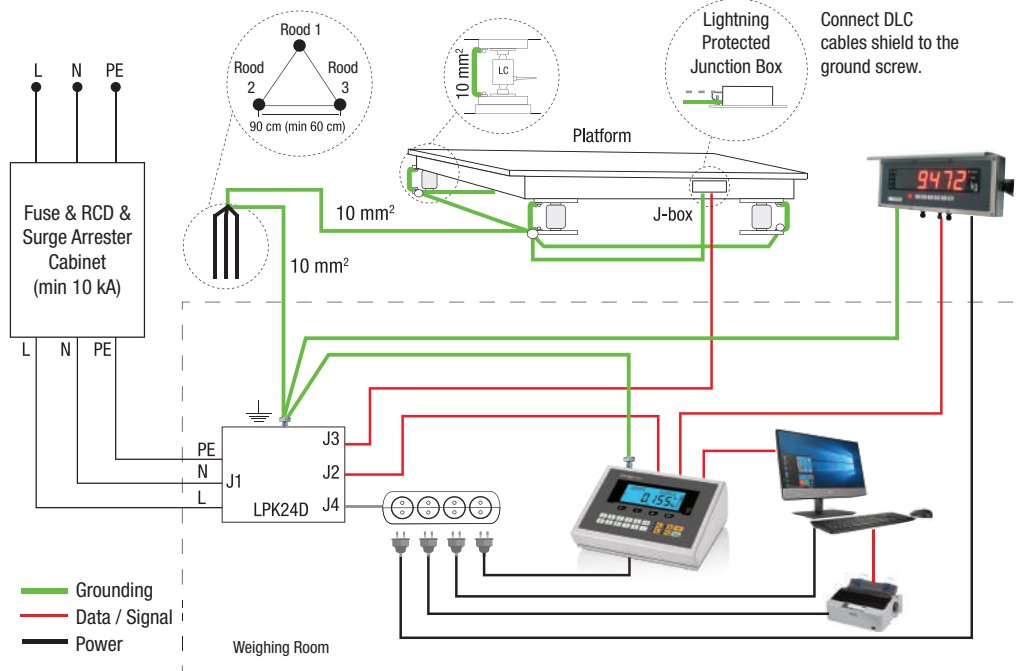
## Features

- Maximize your uptime.
- Easy installation.
- Visual fault monitoring.
- IP67 rated enclosure.

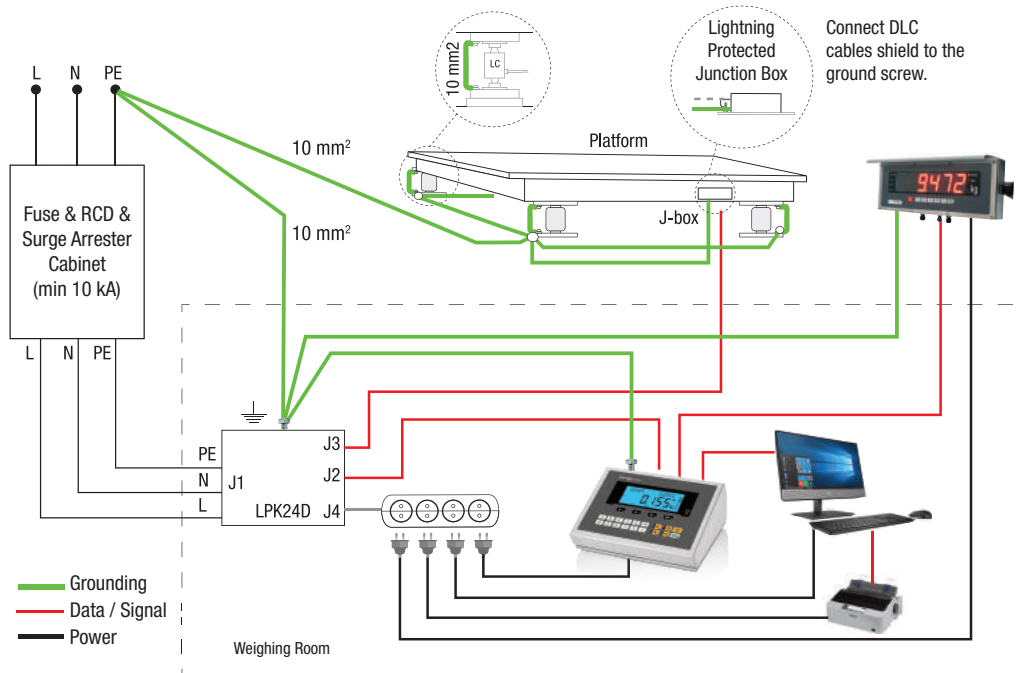
Electronic scales, especially truck and silo scales located outdoors, break down frequently because of the lightning strikes effects. The cost of production interruption caused by lightning is too much. Therefore, lightning protection is vital for industrial electronic weighing systems operating in open environments.

LPK24D lightning protection unit, with an affordable cost, provides complete protection for your weighing system equipped with digital load cells against lightning and overvoltage effects and prevents production interruptions and logistical problems that may arise due to these reasons.

# Connection Diagrams of LPK24D Lightning Protection Unit



With a dedicated grounding system, cable connection of a scale with digital load cells



With facility PE grounding, cable connection of a scale with digital load cells

## Technical Specifications

Operating voltage (UN)	100 - 240 VAC
Max. output current (IL)	10 A
Supply voltage for digital load cells	12 VDC
Max. supply current for digital load cells	800 mA
Max. discharge current (Imax, 8/20 µS)	10kA : for LPK24D-10kA 20kA : for LPK24D-20kA
Voltage protection level (UP)	< 1000 volt
Operating temperature range	-10°C TO +85°C
Enclosure IP rating	IP67
Enclosure material	ABS plastic
Dimensions (L/W/H) mm	202.5 x 80 x 58.5 mm

Specifications are subject to change without notice. 01 - 02 / 2023