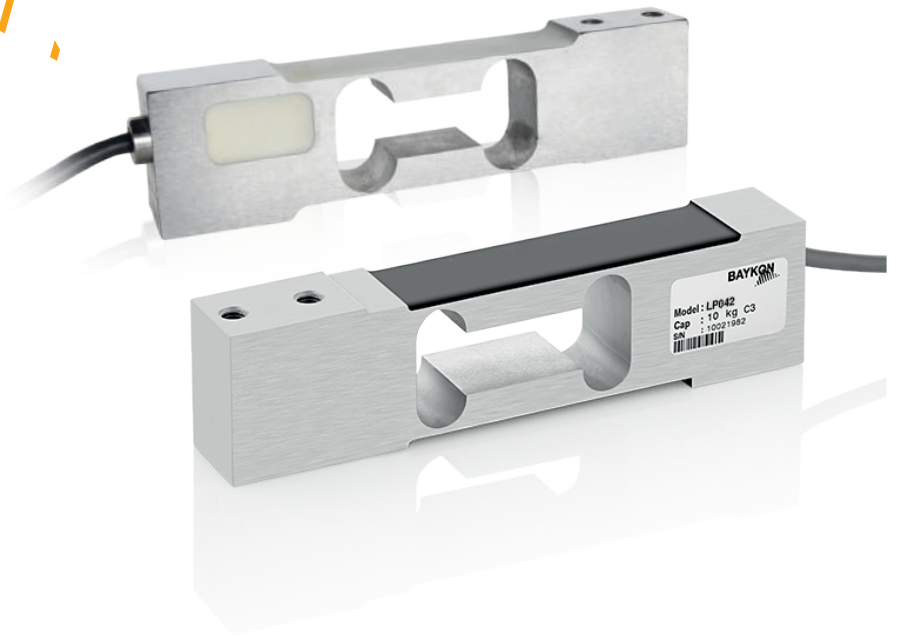
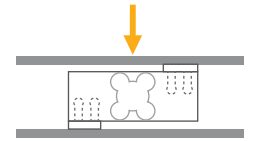


# LP042 / LP042S

## Single Point Load Cell



### Applications



Small Bench



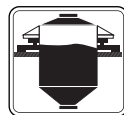
Large Bench



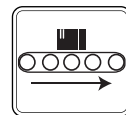
Explosive Atmospheres



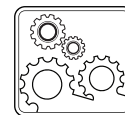
Checkweighers



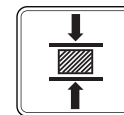
Tank, Bunker, Silo Weighing



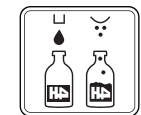
Conveyor Scales



Industrial Processes



Testing Machines



Packing & Filling Applications


### Key Features

- Capacities: 8~100 kg
- LP042 Aluminium, LP042S Stainless steel
- OIML approved (20~100 kg)
- ATEX approved (optional)  
Zone 0, 1, 2, 20, 21, 22
- Protection class: IP66
- Platform size (recommended): 400 x 400 mm

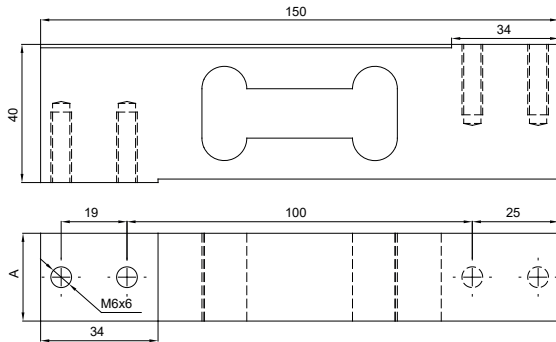
Model LP042 is made of aluminium and has EU OIML C3 approval. Model LP042S is made of stainless steel and suitable for industrial use. LP042 and LP042S have IP66 protection class, and provide high-performance weighing and measurement, especially in bench scales, packaging and filling machines, and test systems.

ATEX-approved variants of LP042 and LP042S load cells are available for use in explosive environments.

# Technical Specifications

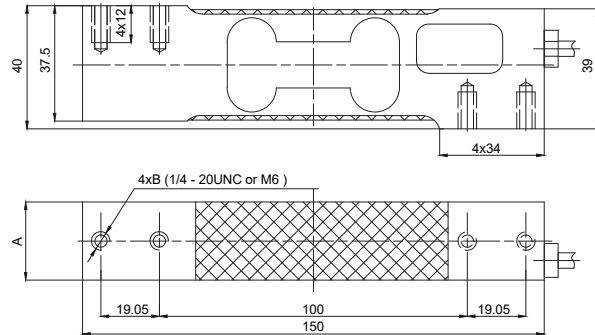
Model		LP042		LP042S
		8 / 10 / 15	20 / 30 / 50 / 75 / 100	8 / 10 / 15 / 20 / 30 / 50 / 60 / 100
Capacity (E <sub>max</sub> )	kg	G3	C3	G3
Accuracy class		-	3000	-
Maximum number of load cell verification intervals (n <sub>LC</sub> )		-	10000	-
Minimum load cell verification interval (v <sub>min</sub> )		-	3000	-
Rated output (RO)	mV / V	2 ± 0.2		
Temperature effect on zero	%E <sub>max</sub> / 10°C	≤ 0.0175		≤ 0.02
Temperature effect on sensitivity	%E <sub>max</sub> / 10°C	≤ 0.012		≤ 0.02
Combined error	%RO	≤ 0.017		
Creep error (30 minutes)	%E <sub>max</sub>	≤ 0.0166		≤ 0.03
Zero balance	%E <sub>max</sub>	≤ 3		
Input resistance	Ω	404 ± 15		400 ± 20
Output resistance	Ω	350 ± 3		352 ± 5
Insulation resistance (at 50 V DC)	MΩ	≥ 2000		≥ 5000
Safe load limit	%E <sub>max</sub>	150		
Ultimate load	%E <sub>max</sub>	300		200
Excitation voltage, recommended	V (DC)	5 - 10		
Excitation voltage, maximum	V (DC)	15		12
Compensated temperature range	°C	- 10...+ 40		- 10...+ 40
Operating temperature range	°C	- 20...+ 50		- 30...+ 70
ATEX Approval (Optional)		ATEX  II 1G Ex ia IIC T6 Ga II 1D Ex ia IIIC T82°C Da		
Material		Aluminium		Stainless steel
Protection class		IP66		
Cable		Length: 1 m / Ø 5mm		Length: 1.8 m / Ø 5mm
Maximum platform size	mm	400 x 400		

## Dimensions (mm)



LP042

Capacity kg	8-30	50-100
A	20	25



LP042S

Capacity kg	8-40	50-100
A	20	25.2

## Color Codes

Function	Colors
+ input	blue
+ output	white
- input	black
- output	red
shield	