

LA66/200C Weigh Module

For Bending Beam Load Cells



Applications



Explosive
Atmospheres



Industrial
Processes

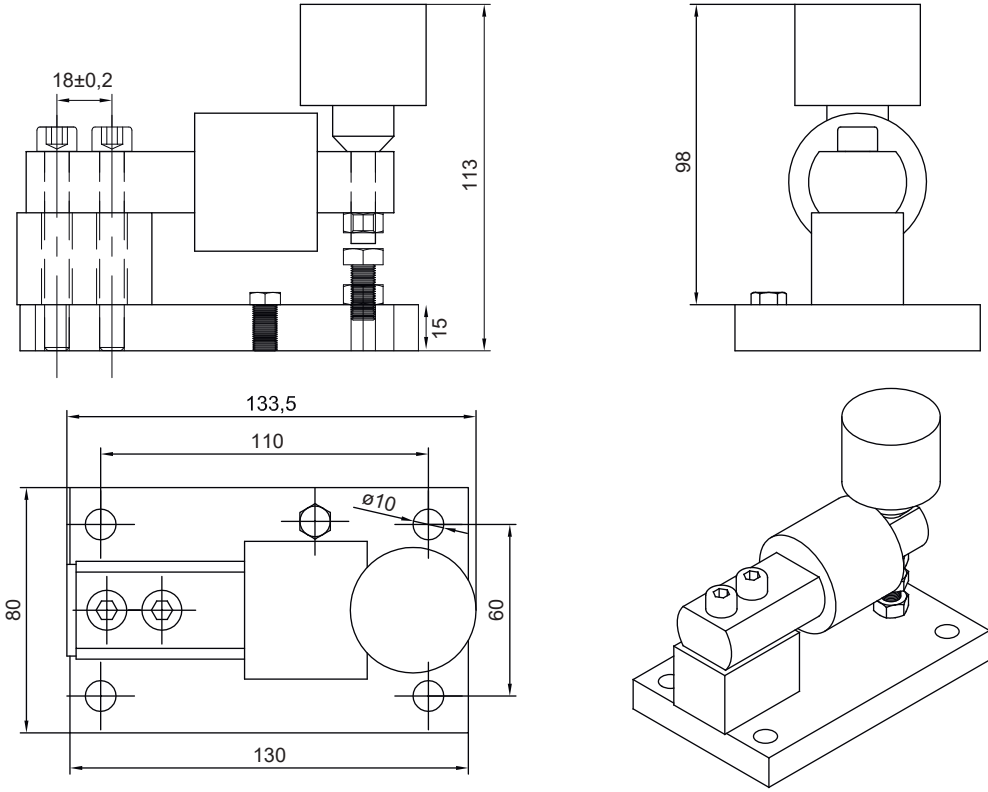
Key Features

- Capacity: Between 10 kg and 500 kg
- Easy to install and maintain
- Rubber adaptor absorbs shocks and vibrations
- Integrated overload protection
- Standard galvanized steel
- Stainless steel option

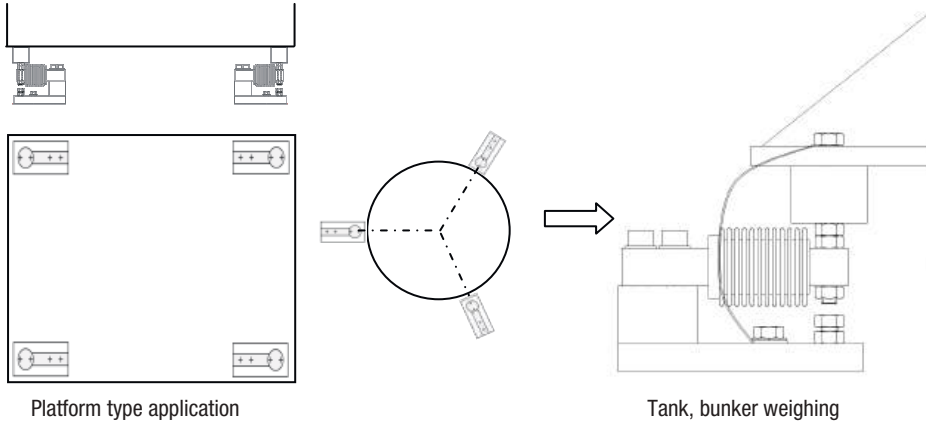
LA66/200C weigh module is cost effective solution for low capacity weighing systems. Thanks to its support consisting of rubber with steel plates. Provides durable load introduction and shock absorption for bellows load cells. Provides safe operation with integrated overload protection.

Technical Specifications

Dimensions (mm)



Application



Load cells compatible with the kit

Compatible Load Cell Types	
Brand	Model
Baykon	BS555,BS556
Flintec	SB8
Vishay	355