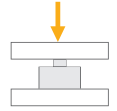


BY801

Tension / Compression Force Sensor



Applications



Truck Scales



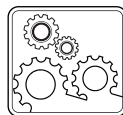
Tank, Bunker,
Silo Weighing



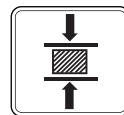
High Capacity
Applications



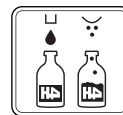
Special
Weighing



Industrial
Processes



Testing
Machines



Packing & Filling
Applications

Key Features

- Capacities: 100 kg~100 t
- Nickel plated alloy steel
- Protection class: IP67
- High accuracy

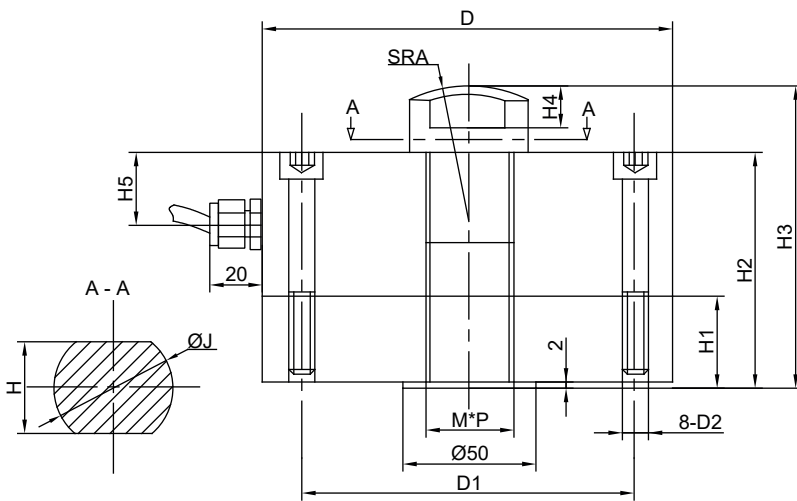
BY801 force measurement load cells are specifically designed and manufactured for the compression & tension test machines. They are made of special material for precise measurement. Depending on the application, they can be used with various

BAYKON electronic equipment; analog or digital transmitters, digital indicators and application software.

Technical Specifications

Model	BY801			
Capacity (E _{max})	t	1 / 2 / 3 / 5		10 / 20
Rated output (RO)	mV / V		2.0 ± 0.006	
Combined error	%RO	± 0.05		± 0.1
Temperature effect on zero	%RO / 10°C		≤ 0.03	
Temperature effect on sensitivity	%RO / 10°C		≤ 0.03	
Safe load limit	%E _{max}		150	
Ultimate load	%E _{max}		200	
Zero balance	%RO		≤ 1	
Creep error (30 minutes)	%RO		≤ 0.03	
Excitation voltage, recommended	V (DC)		5 - 12	
Excitation voltage, maximum	V (DC)		15	
Input resistance	Ω		400 ± 20	
Output resistance	Ω		352 ± 3	
Insulation resistance (at 50 V DC)	MΩ		≥ 5000	
Compensated temperature range	°C		- 10...+ 40	
Operating temperature range	°C		- 30...+ 70	
Material			Nickel plated alloy steel	
Protection class			IP67	
Cable			Length: 6-10 m / diameter: 6 mm	

Dimensions (mm)



Capacity	1~3	5	10C20
D	Ø105	Ø120	Ø155
M*P	M14*2	Mx20*1.5	M32*2
H1	25	30	35
H2	70	80	90
H3	85	95	115
H4	10	10	15
H5	22.5	25	27.5
H	20	25	35
ØJ	Ø25	Ø30	Ø45
A	40	45	60
D1	90	104.5	133
D2	M6x55	Mx65	M10x75

(Specifications are subject to change without notice. 02 -03 / 2024)