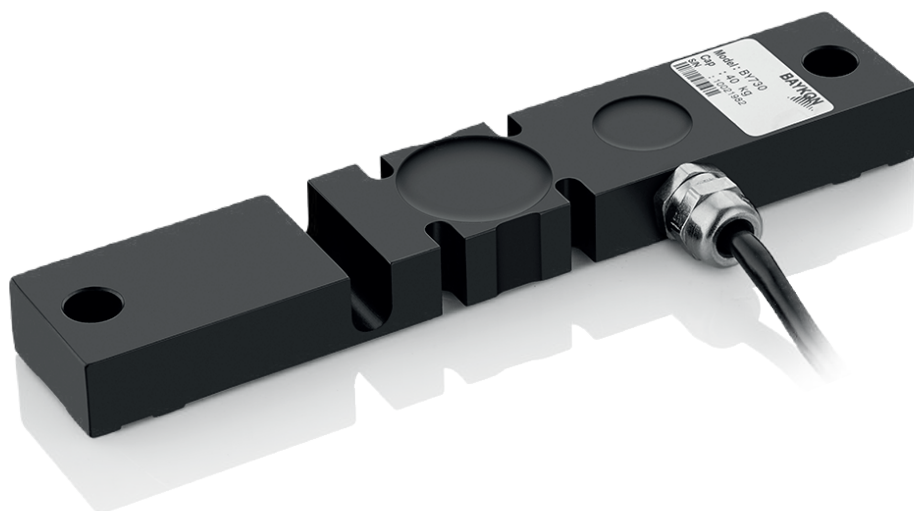


# BY730 Extensometer

Extensometer



## Applications



Tank, Bunker,  
Silo Weighing

## Key Features

- Capacities: 40 kg
- Alloy steel
- Protection class: IP66

BY730 extensometer is designed for silo inventory monitoring. The sensor measures the elastic deformation that occurs in the support legs of a silo. It features a low activation force and a high-gain analogue output, perfect for measuring forces in rigid structures.

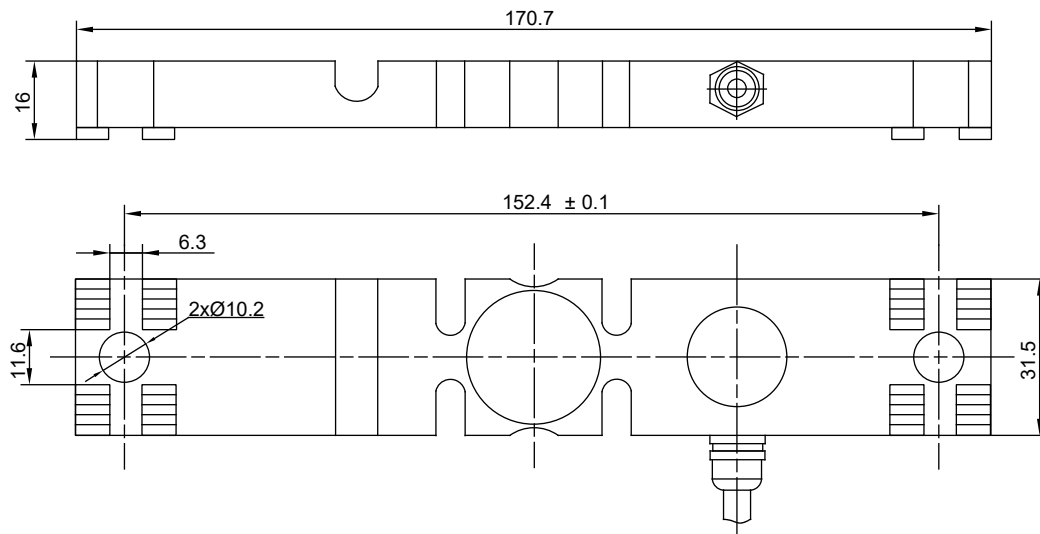
It's a fully welded, stainless steel device that bolts on to an existing silo set-up. Its electro-polished finish is ideal for clinical processing environments. An optional installation kit is available to simplify mounting and connection to electronics.

**BAYKON**  
Industrial Weighing Systems

# Technical Specifications

Model		BY730
Capacity ( $E_{max}$ )	kg	40
Rated output (RO)	mV / V	$1.65 \pm 0.005$
Combined error	%RO	$\leq 1$
Temperature effect on zero	%RO / $10^{\circ}\text{C}$	$\leq 0.1$
Temperature effect on sensitivity	%RO / $10^{\circ}\text{C}$	$\leq 0.1$
Safe load limit	% $E_{max}$	120
Ultimate load	% $E_{max}$	150
Zero balance	%RO	$\leq 1$
Creep error (30 min.)	%RO	$\leq 0.1$
Excitation, recommended	V (DC)	5 - 12
Excitation maximum	V (DC)	15
Input resistance	$\Omega$	$400 \pm 50$
Output resistance	$\Omega$	$352 \pm 5$
Insulation resistance (at 50 V DC)	M $\Omega$	$\geq 5000$
Compensated temperature range	$^{\circ}\text{C}$	-
Operating temperature range	$^{\circ}\text{C}$	- 30...+ 70
Material		Alloy steel
Protection class		IP 66
Cable		Length: 5 m / diameter: 5 mm

## Dimensions (mm)



## Color Codes

Function	Colors
+ excitation	red
- excitation	black
+ signal	green
- signal	white
shield	yellow

(Specifications are subject to change without notice. 02 -03 / 2024)