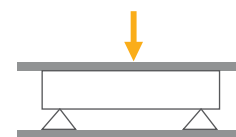


BY601

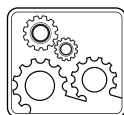
Rope Tension Load Cell



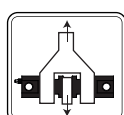
Applications



Special
Weighing



Industrial
Processes



Overload
Limiting

Key Features

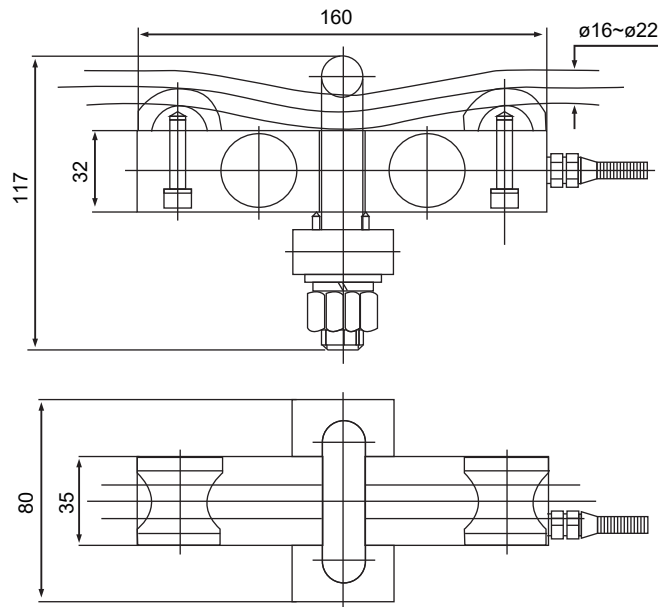
- Capacities: 1~3 t
- Nickel plated alloy steel
- Protection class: IP67
- High accuracy

BY601 is welded steel construction load cell used for wire rope tension force measurement, overload alarming and force measurement of similar testing systems.

Technical Specifications

Model		BY601
Capacity (E_{max})	t	1 / 2 / 3
Rated output (RO)	mV / V	2.0 ± 0.5
Combined error	%RO	≤ 0.3
Temperature effect on zero	%RO / 10°C	≤ 0.02
Temperature effect on sensitivity	%RO / 10°C	≤ 0.02
Safe load limit	% E_{max}	150
Ultimate load	% E_{max}	200
Zero balance	%RO	≤ 1
Creep error (30 min.)	%RO	≤ 0.03
Excitation voltage, recommended	V (DC)	5 - 12
Excitation voltage, maximum	V (DC)	15
Input resistance	Ω	765 ± 5
Output resistance	Ω	702 ± 3
Insulation resistance (at 50 V DC)	M Ω	≥ 5000
Compensated temperature range	°C	- 10...+ 40
Operating temperature range	°C	- 30...+ 70
Material		Nickel plated alloy steel
Protection class		IP67
Cable		Length: 14 m / diameter: 6 mm

Dimensions (mm)



Color Codes

Function	Colors
+ input	blue
+ output	white
- input	black
- output	red
shield	yellow

Specifications are subject to change without notice. 02 -03 / 2024