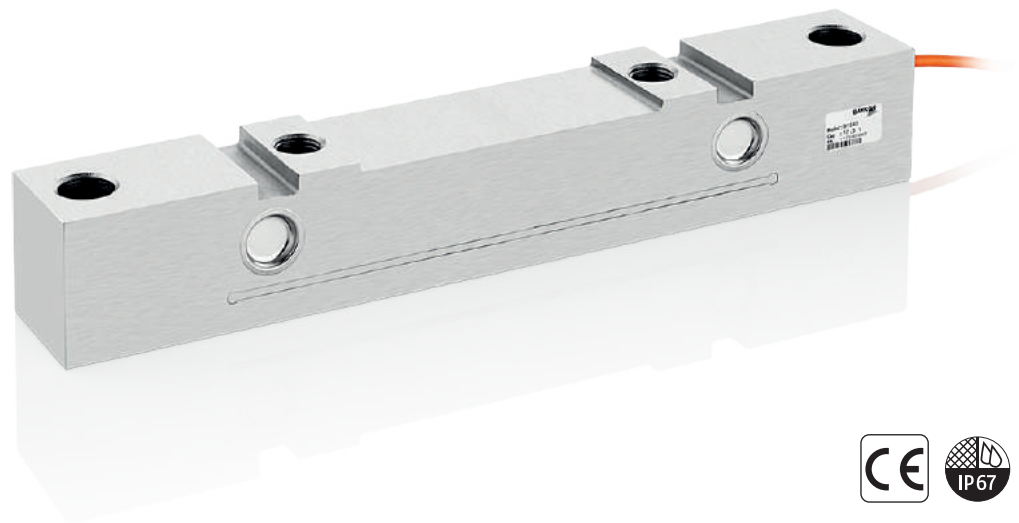
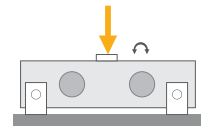


BY540

Double Ended Shear Beam Load Cell



Applications



Crane Scales



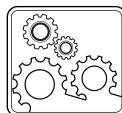
Tank, Bunker,
Silo Weighing



High Capacity
Applications



Special
Weighing



Industrial
Processes



Packing & Filling
Applications

Key Features

- Capacities: 12.5 ~ 30 t
- Nickel plated alloy steel
- Protection class: IP67
- High accuracy

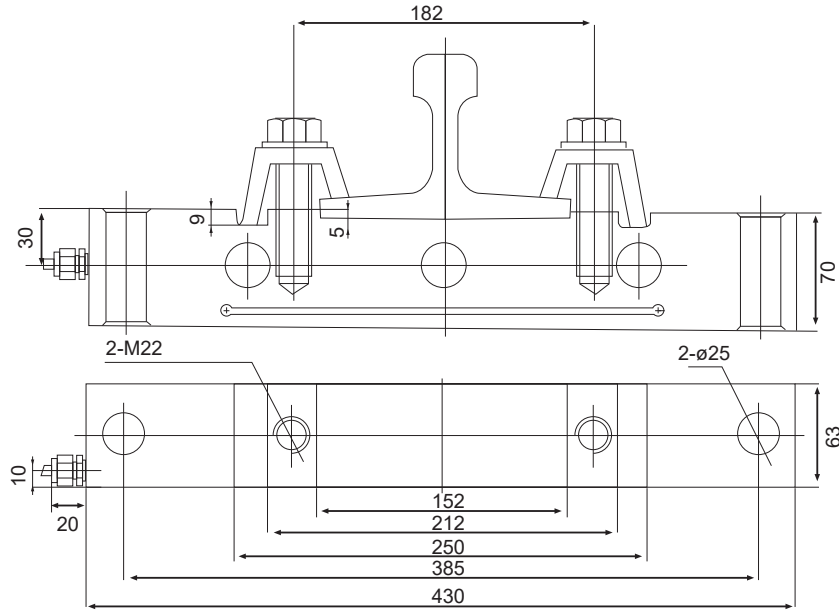
BY540 is welded alloy steel construction double ended shear beam loadcell specially designed for railway scales.

It is also suitable for ship weighing and similar high capacity weighing applications.

Technical Specifications

Model		BY540
Capacity (E_{max})	t	12.5 / 20 / 30
Rated output (RO)	mV / V	2.0 ± 0.002
Combined error	%RO	≤ 0.1
Temperature effect on zero	%RO / 10°C	≤ 0.3
Temperature effect on sensitivity	%RO / 10°C	≤ 0.5
Safe load limit	% E_{max}	150
Ultimate load	% E_{max}	200
Zero balance	%RO	≤ 1
Creep error (30 min.)	%RO	≤ 0.05
Excitation, recommended	V (DC)	5 - 12
Excitation maximum	V (DC)	15
Input resistance	Ω	750 ± 10
Output resistance	Ω	702 ± 3
Insulation resistance (at 50 V DC)	M Ω	≥ 5000
Compensated temperature range	°C	- 10...+ 40
Operating temperature range	°C	- 30...+ 70
Material		Nickel plated alloy steel
Protection class		IP67
Cable		Length: 12 m / diameter: 6 mm

Dimensions (mm)



Color Codes

Function	Colors
+ excitation	blue
- excitation	black
+ signal	white
- signal	red

(Specifications are subject to change without notice. 02 -03 / 2024)