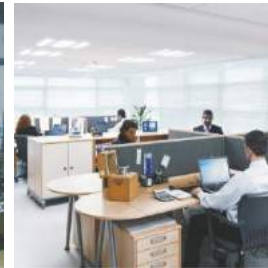
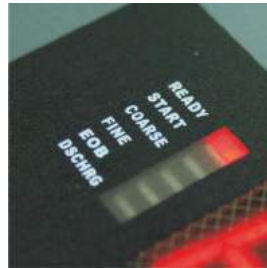


BAYKON Digital Load cells

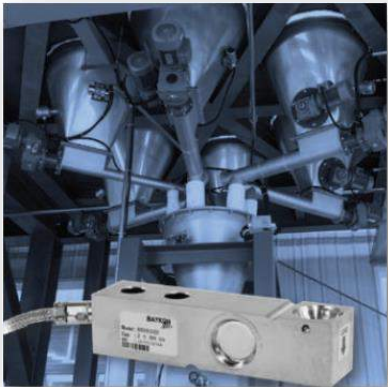


Accurate Weight , Reliable operation
Quick and Easy Maintenance



Digital Load Cell types for different industrial applications

Shear beam



BS063SD

Button



BR200SD

Canister



BR030SD, BR032SD

BAYKON digital load cells

Advantages of Digital Load Cell



*For non - legal for trade scales

BAYKON digital load cells

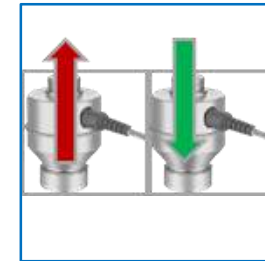
Advantages of Digital Load cell

- Improved Accuracy: Temperature, non-linearity, zero balance, hysteresis compensation with in-built hybrid processor and stabilized voltage inside the load cell. Strong digital output signal not affected by noise or additional temperature effects.



5V versus 1μV

- Direct Replacement Load Cells: BAYKON digital load cells are matched at the production to provide direct replacement without recalibration for non-legal scales.



- Lowest Service Costs & Minimize profit loss from downtime: Quick and easy;
 - Adjustment
 - Fault finding thanks to advance diagnostic,
 - Load cell and cable replacement,



- No Operation risk with faulty Load Cell: Indicator communicates with each load cell independently and weighing is blocked in case of load cell fault.



BAYKON digital load cells

Advantages of Digital Load cell

- Preventing Cheating: Load Cell measurement data is converted into stable RS485 signal coded by Baykon BDLC protocol for secure communication that is very difficult to cheat.



- IP68 protection class enclosure and water resist cables: Hermetically sealed stainless steel, heavy duty structure, water and rodent resist dual core cable with braided stainless steel sheathing and quick release connector.



- Protection against to environmental effects: Digital load cell with dual core cable has strong immunity against radio frequency signals, electromagnetic radiation and eliminates the other effects such as temperature and voltage variations.



- Lightning & Surge Voltage Protection: Shear beam and button type load cell could be adequately protected with dedicated surge protection device in the junction box while canister type has it within the load cell itself.



BAYKON digital load cells

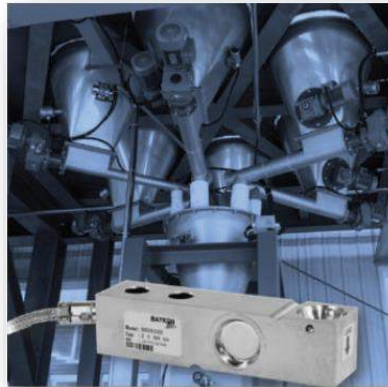
Digital Load Cell Cable

- Heavy-duty, dual core cable with braided stainless steel sheathing.
- Safe connection with quick-release watertight connectors.
- Protected against water, abrasion, radio frequency, oil and rodents.
- Quick release connectors make it easy to replace individual load cells or cables.
- Load Cell cable is not part of the Load Cell's calibration circuit and does not affect accuracy.
- No need to recalibrate the scale after replacing the load cell cable.



Digital Load Cell types for different industrial applications

Shear beam



BS063SD

Button



BR200SD

Canister



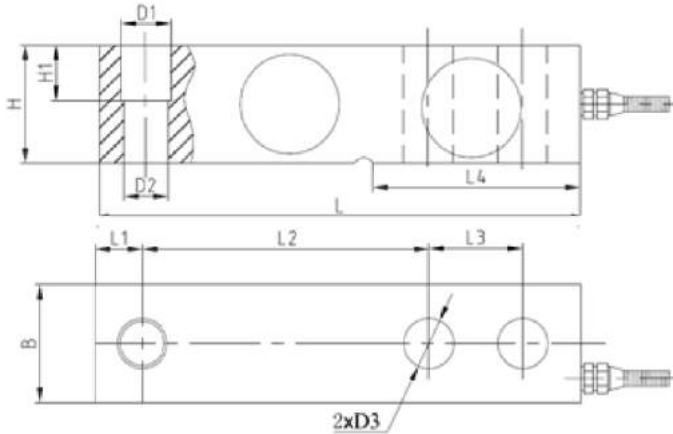
BR030SD, BR032SD

BAYKON digital load cells

BS063SD : Dimensions & Assemblies



BS063SD



LAESP2/5 assembly module (option)

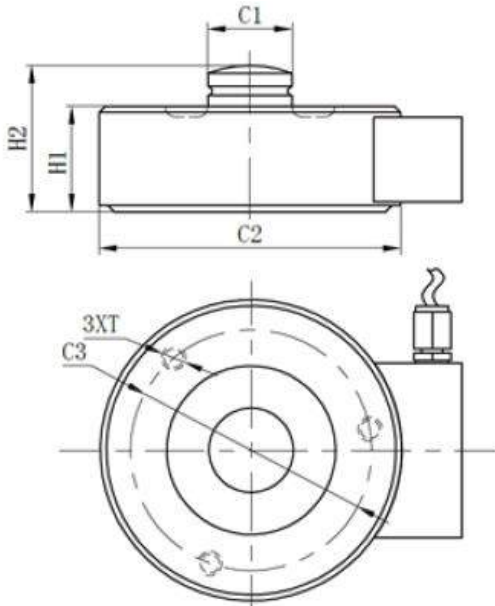
Capacity	Capacity	
	1-2 t	5 t
Dimensions (mm)		
L	130	171.5
L1	12.7	19
L2	76.2	95.3
L3	25.4	38.1
L4	53.5	72.5
H/B	31.8	38.1
H1	20	26
D1	17.5	20
D2	M16x1.5	M18x1.5
D3	13	20

BAYKON digital load cells

BR200SD : Dimensions & Assemblies



BS200SD



LABR200 assembly module (option)

Capacity	Capacity	
	1-2 t	5 t
Dimensions (mm)		
C1	22	28
C2	82	100
C3	65	80
H1	32	35
H2	44	49.5
T	M6	M8

BR030 SD / BR032 SD Digital Load Cell

Uncompromised performance and stability

for truck scales and other heavy capacity weighing applications



BAYKON digital load cells

BR030 SD Digital load cell: Accurate, Precise and Reliable

- ✓ Low power, advanced A/D converter
- ✓ In-built Hybrid Processor

- Full Protection
- ✓ 100 % Stainless steel, IP68 protection
- ✓ Laser-welded, hermetically sealed
- ✓ Physical damage resistant

- Eliminated & compensated disturbances
- ✓ Temperature
- ✓ Voltage variation
- ✓ Non-linearity
- ✓ Hysteresis
- ✓ Instability
- ✓ Electromagnetic effects
- ✓ Zero and sensitivity change

- Strong Weight Signal
- ✓ RS 485 Digital Output Signal
- ✓ Secure and fast communication

- ✓ In built lightning and surge protection device

- ✓ Dual core, heavy-duty and water resist cables
- ✓ Quick-release watertight connectors

- Best Load Transfer
- ✓ Self-aligning suspension – Internal rocker pin
- ✓ Stainless steel upper and lower receivers
- ✓ Debris retarding rubber boot



BAYKON digital load cells

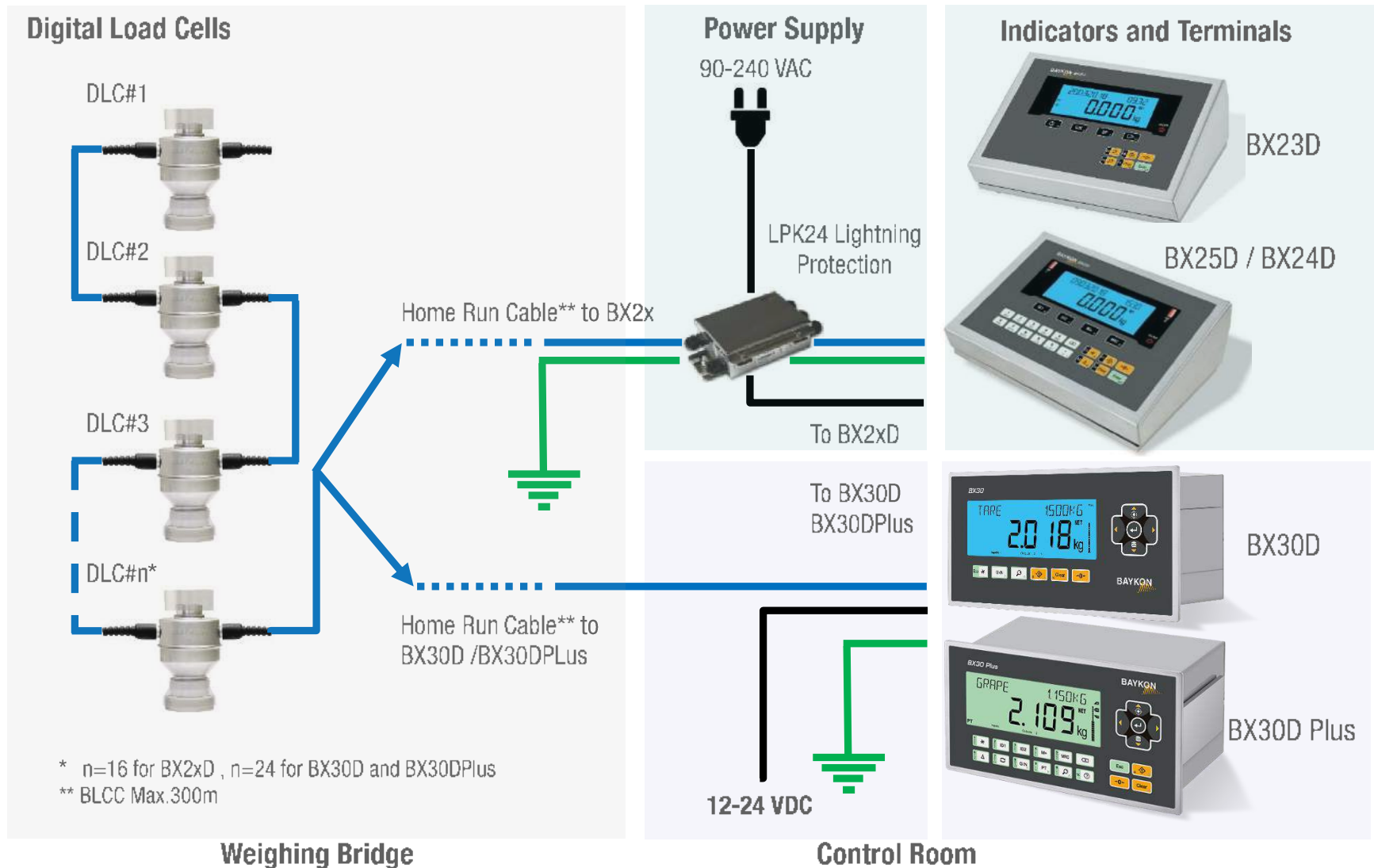
BR032 SD Digital load cell:

Dual connectors, installation without junction box



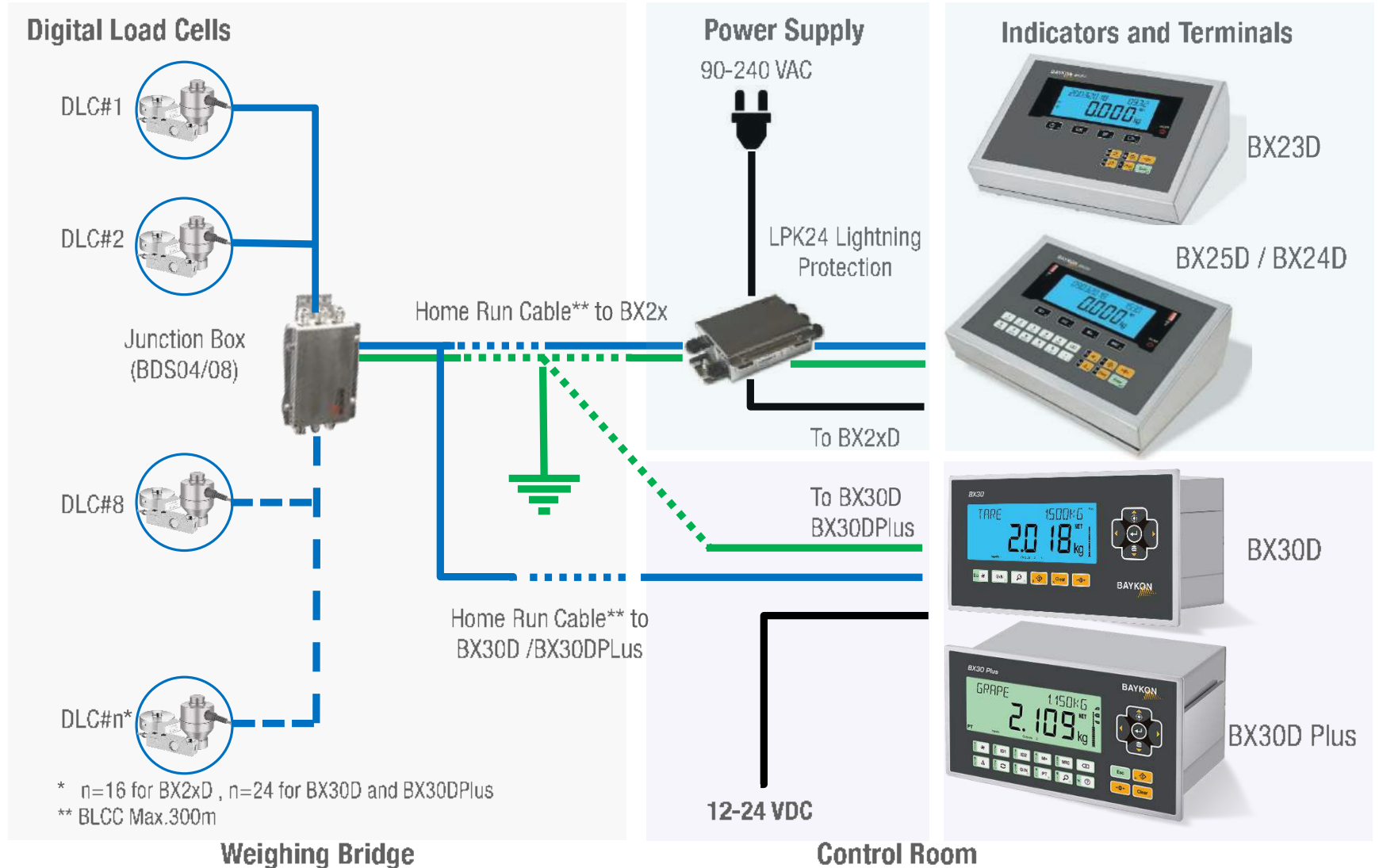
BAYKON digital load cells

BR032SD : Serial Connection without junction box



BAYKON digital load cells

BS063SD / BR200SD / BR030SD : Parallel Connection with junction box


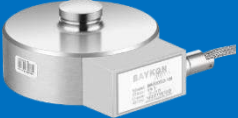
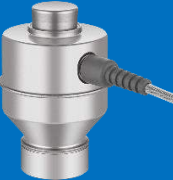






* n=16 for BX2xD , n=24 for BX30D and BX30DPlus

** BLCC Max.300m

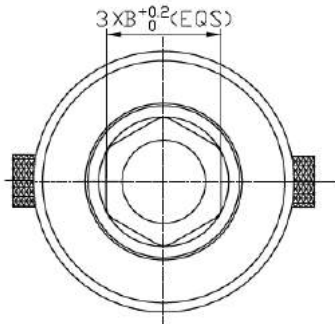
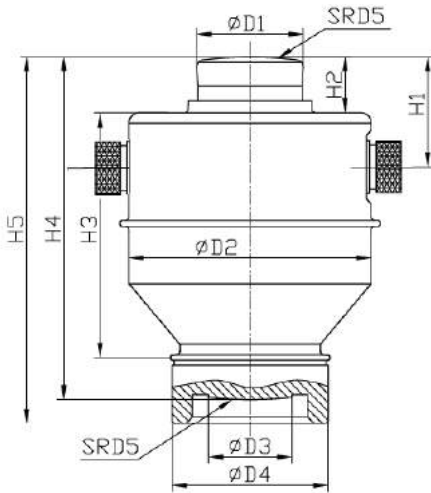
Lightning and Surge Protection



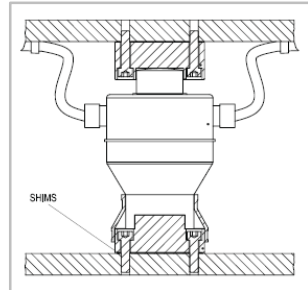
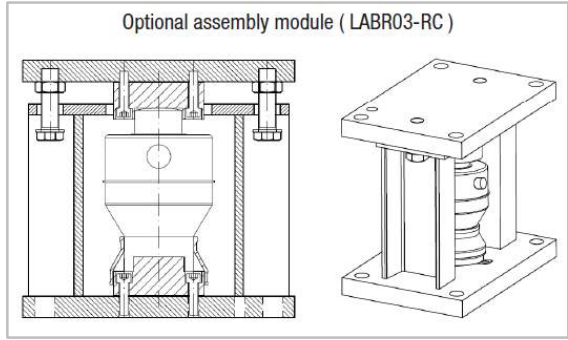
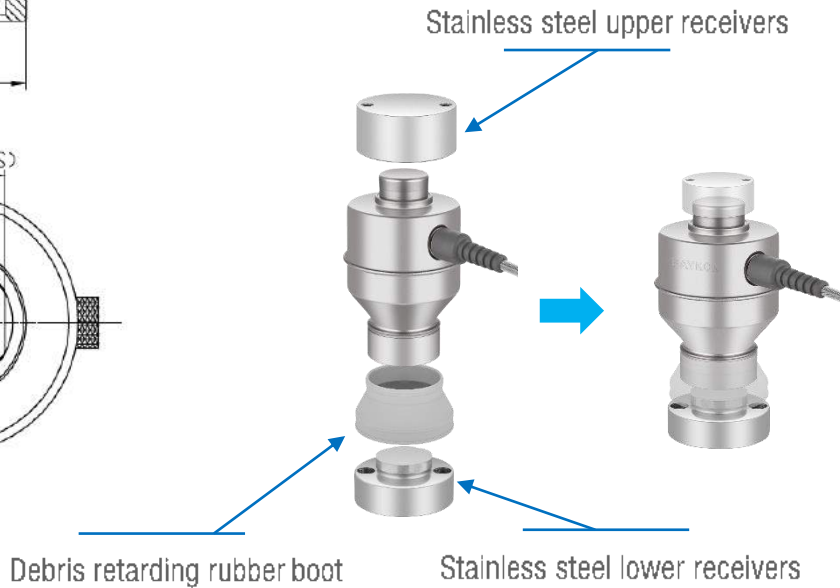
		Lightning and Surge Protection			
Load Cell Type					
Protection Level		BS063SD	BR200SD	BR030SD	BR032SD
Load Cell Level		No	No	Yes (In-Built)	Yes (In-Built)
Junction Box Level		Yes	Yes	Yes	No junction box
Power Supply Level		Yes	Yes	Yes	Yes
Indicator / Terminal Level		Yes (Power inputs are protected and all interfaces inputs and outputs are galvanically isolated and protected)			

BAYKON digital load cells

BR030 SD-BR032 SD : Dimensions & Assemblies



Dimensions (mm) \ Capacity (t)	B	D1	D1	D3	D4	D5	H1	H2	H3	H4	H5
20	47	43.6	99	34	64	150	45	23	100	140	150
30	47	43.6	99	34	64	160	45	23	100	140	150
50	47	43.6	99	34	64	200	45	23	100	140	150
100	70	70	159	56	86	300	65	30	130	185	200



BAYKON digital load cells

Technical Specification

					
	Unit	BS063SD	BR200SD	BR030SD / BR032SD	
Load Cell Type		Shear Beam	Button	Canister	
Max. capacity (Emax)	t	1 / 2 / 5	5 / 10 / 15	20 / 30 / 50 / 100	
Accuracy class		G3 (Non-Approved)		C3 (OIML R60)	
Min. dead load (Emin)	t	0,01	0,02	0	
Max. number of verification intervals (nLC)		≥ 3000 (Non-Approved)		5000	
Ratio of Min. Load Cell verification interval ($\gamma = E_{min}/E_{max}$)		(Non-Approved)		10000	
Internal resolution	Counts @ Emax	≥ 2000000			
External resolution (RO)	Counts @ Emax	≥ 50000		≥ 75000	
External resolution tolerance	% RO	≤ ± 0.02		≤ ± 0.01	
Zero balance	% RO	< ± 1			
Zero Return, 30 min.	% RO	< ± 0.03		± 0.01	
Temperature effect (on Emin)	% RO / 10°C	≤ 0.0015			
Temperature effect (on sensitivity)	% RO / 10°C	≤ 0.01			
Safe load limit	% Emax	120	150		
Ultimate load limit	% Emax	250	300		
Excitation - recommended	VDC	12 (Min.10- Max 18)			
Junction Box		Yes	Yes	Yes	No
Compensated temperature range	°C	- 10 ... + 40			
Operating temperature range	°C	- 30 ... + 70			
Communication out		RS485, BDLC Protocol			
Number of bus addresses		24			
Material		Stainless Steel			
Protection		Complete hermetic sealing . IP68			
Cable type and diameter		Stainless Steel Sheathing - Diameter 8,5 mm			
Load Cell Cable length	m	6	10	16	7m with 2 connectors
Home run cable length (Standart)	m	20 m			



Danke sehr !

multumesc!

الشكر لك !

谢谢 !

Thank you !

Merci !

спасибо!

obrigado!

आपको धन्यवाद देता हूं!

Gratias !

Teşekkürler !

Grazie !

