

# 1D/2D Code Scanner

## C5PC002

Part Number

IndustrialEthernet



- Auto-button function
- Integrated code reconstruction
- Integrated LED illumination
- PROFINET and EtherNet/IP™
- Web link

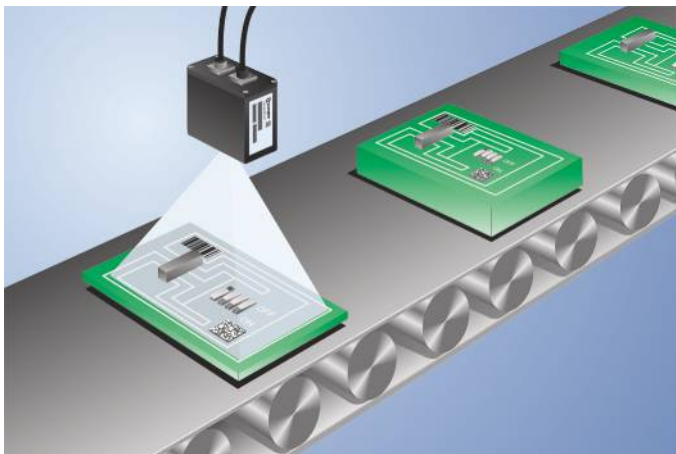
These 2D code scanners are suitable for omnidirectional scanning of 1D and 2D codes.

The following code types can be processed:

1D codes: Code39, Code93, Code128, UPC/EAN, BC412, Interleaved 2 of 5, Codabar, Postal Codes, Pharmacode

2D codes: DataMatrix ECC 0...200, PDF417, Micro PDF417, QR-Code, Micro QR-Code, Aztec Code, GS1 Databar, Dot code

Additional code types upon request.

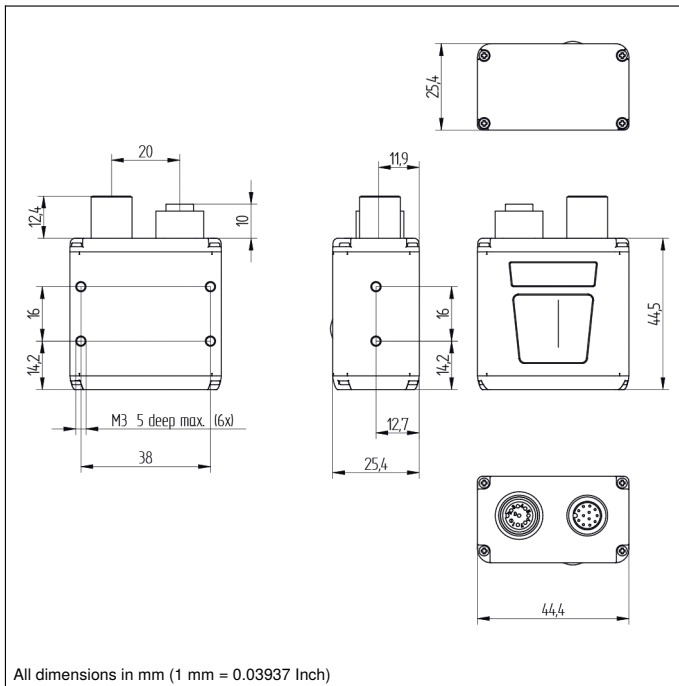


### Technical Data

Optical Data	
Barcode Density	Standard density
Resolution	1280 × 960 Pixel
Light Source	Red Light
Wavelength	617 nm
Service Life (T = +25 °C)	50000 h
min. Resolution	0,19 mm
Electrical Data	
Supply Voltage	5...30 V DC
Current Consumption (U <sub>b</sub> = 24 V)	150 mA
Scan Rate	42 scans/sec
Temperature Range	0...45 °C
Switching Output	Optoisolator
Number of Switching Outputs	3
Switching Output/Switching Current	100 mA
Reverse Polarity Protection	yes
Interface	RS-232/Ethernet
Trigger Input	Optoisolator
Signal Input	Optoisolator
Number of Signal Inputs	3
Mechanical Data	
Setting Method	Ethernet
Housing Material	Metal
Weight	68 g
Degree of Protection	IP65
Connection	M12 × 1; 12-pin
Type of Connection Ethernet	M12 × 1; 8-pin
PNP NO/NC switchable	●
NPN NO/NC switchable	●
Ethernet	●
PROFINET	●
EtherNet/IP™	●
Connection Table No.	<b>39</b>
Control Panel No.	<b>A24</b>
Suitable Connection Equipment No.	<b>87</b>
Suitable Mounting Technology No.	<b>430</b>

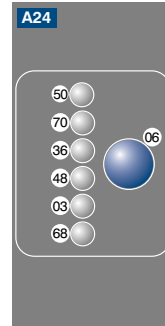
### Complementary Products

Connection Cable ZCYV00x
Optical Diffuser ZNNG030
Path-Folding Mirror ZNNG028
Polarization Filter ZNNG031
Protective Housing ZSV-0x-01
Replacement Disc ZNNG029
Software



All dimensions in mm (1 mm = 0.03937 Inch)

### Ctrl. Panel



- 03 = Error Indicator
- 06 = Teach Button
- 36 = Mode Indicator
- 48 = Network Status
- 50 = Good Read
- 68 = Supply Voltage Indicator
- 70 = Run/Trigger

Object Distance	Max. Field of View	Min. Resolution	Read Range	
			1D	2D
50	57,2 × 42,9 mm			
64	73,0 × 54,8 mm	0,084 mm	45...65 mm	—
81	88,9 × 66,7 mm	0,127 mm	45...106 mm	45...55 mm
102	109,5 × 82,2 mm	0,190 mm	45...162 mm	45...85 mm
133	141,3 × 106,0 mm	0,254 mm	45...218 mm	45...116 mm
190	200,0 × 150,0 mm	0,381 mm	45...300 mm	45...178 mm
300	314,3 × 235,7 mm	0,508 mm	45...300 mm	45...240 mm

