

# Barcode Line Scanner

## CCD Array

# BLN0H1R20

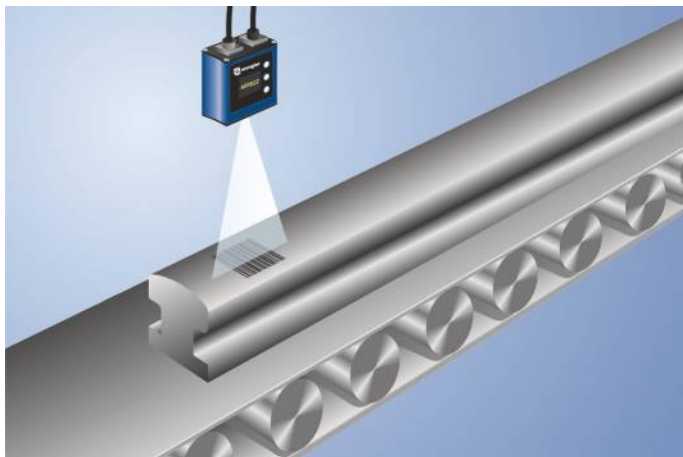
Part Number

Ethernet



- Compact housing
- Ethernet TCP/IP
- LED display indicates "good read"
- Red light
- Web server and graphic display for simple operation

This barcode scanner is suitable for reading 1D codes, which are printed or lasered on glossy materials. Even with slight contrast differences and poor code quality this scanner operates reliably. Readable code types: Standard Code39, Full ASCII Code39, Interleaved 2 of 5, China Postal Code, Codabar, Code32, MSI Plessey Code, Code11, Industrial 2 of 5, Matrix 2 of 5, Telepen Code, UK Plessey Code, IATA Code, Code93, EAN13, EAN8, UPC-A, UPC-E, Code128, UCC/EAN-128, RSS-14, RSSLimited.



## Technical Data

Optical Data	
Barcode Density	Wide Angle
Read Range	20...200 mm
Resolution	0,075 mm
Light Source	Red Light
Wavelength	625 nm
Service Life (T = +25 °C)	100000 h
Max. Ambient Light	70000 Lux
Opening Angle	65 °
Barcode Printing Contrast	> 30 %

Electrical Data	
Supply Voltage	18...30 V DC
Port Type	100BASE-TX
Current Consumption (U <sub>b</sub> = 24 V)	< 100 mA
Scan Rate	510 scans/sec
Temperature Range	-20...60 °C
Inputs/Outputs	4
Switching Output Voltage Drop	< 2,5 V
PNP Switching Output/Switching Current	100 mA
Short Circuit Protection	yes
Reverse Polarity Protection	yes
Overload Protection	yes
Network Possibilities	Ethernet
Interface	RS-232/Ethernet
Protection Class	III

Mechanical Data	
Housing Material	Aluminum
Weight	130 g
Degree of Protection	IP67
Connection	M12 × 1; 8-pin
Type of Connection Ethernet	M12 × 1; 8-pin, X-cod.

Web server	yes
------------	-----

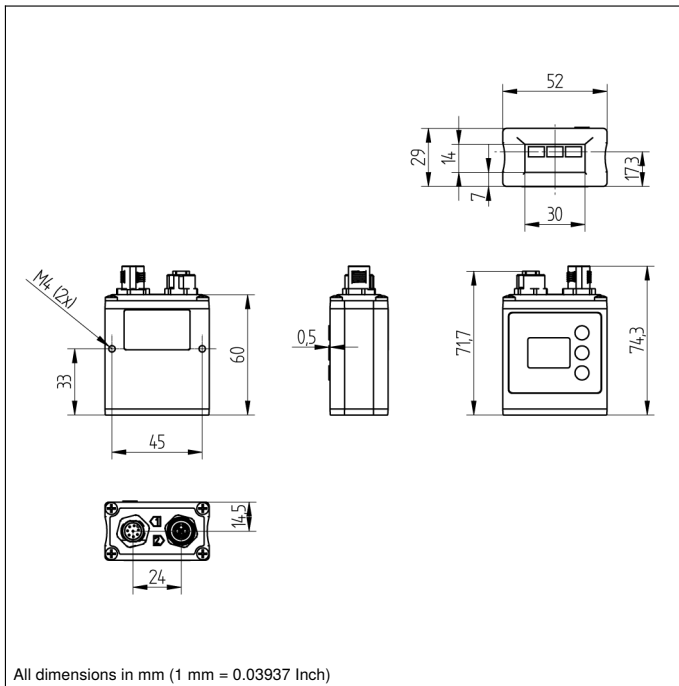
Configurable as PNP/NPN/Push-Pull	<input checked="" type="checkbox"/>
Switchable to NC/NO	<input checked="" type="checkbox"/>

Connection Diagram No.	002   786
Control Panel No.	X2
Suitable Connection Equipment No.	50   89
Suitable Mounting Technology No.	560

Display brightness may decrease with age. This does not result in any impairment of the sensor function.

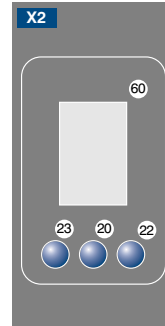
## Complementary Products

Fieldbus Gateway ZAGxxxN01, EPGG001  
Protective Housing ZNNS001, ZNNS002



All dimensions in mm (1 mm = 0.03937 Inch)

### Ctrl. Panel



20 = Enter Button  
 22 = UP Button  
 23 = Down Button  
 60 = Display

Min. Resolution	Read Range	
0,076 mm	35...70 mm	Code 39 (12 digits)
0,101 mm	25...80 mm	Code 39 (4 digits)
0,127 mm	25...100 mm	Code 39 (4 digits)
0,254 mm	20...160 mm	Code 39 (4 digits)
0,381 mm	30...200 mm	Code 39 (4 digits)
0,330 mm	30...170 mm	UPC/EAN (13 digits)
Scanning field width	110 mm	Code39 (0,330 mm)

A = Resolution LA = Read Range SB = Scan Width

