

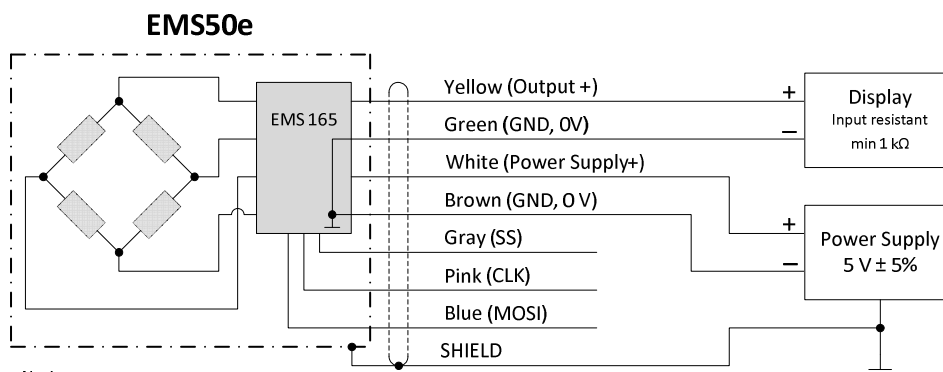
Rated Capacities kN	D mm	D1 mm	L mm	L1 mm	L2 mm	SW	DS mm	M/HL
0,1	32	7	11	10	40	Φ4	28	M3/5
0,2	32	7	11	10	40	Φ4	28	M3/5
0,5	32	7	11	10	40	Φ4	28	M3/5
1	32	7	11	10	40	Φ4	28	M3/5
2	32	7	11	10	40	Φ4	28	M3/5
5	32	7	11	10	40	Φ4	28	M3/5
10	36	8	16	15	44	8	32	M3/5
20	40	10	19	17	50	8	35	M4/6
50	48	15	22	19	58	8	41	M5/8
100	60	20	26	22	70	11	50	M6/10
200	74	28	31	26	84	11	61	M8/12
500	110	44	42	36	120	11	87	M10/16

- Strain gauge measuring system
- Compression
- Built-in amplifier EMS165

Specifications

Accuracy class	0,5
Rated Capacities (F.S.)	100, 200, 500 N 1, 2, 5, 10, 20, 50 kN 100, 200, 500 kN
Safe Overload	150% F.S.
Ultimate Overload	200% F.S.
Recommended Capacity	
- Permanent Load	75 % F.S.
- Dynamic Load	50 % F.S.
Rated Output	
- Standard	0,5 ... 4,5 V
- Reduced	0,4 ... 4,0 V
Zero Balance	2
Non-linearity	0,25
Hysteresis	0,25
Creep (30 min)	0,1
Temperature Effect	
- On Zero	0,15 %F.S./10 °C
- On Output	0,15 %F.S./10 °C
Power Supply	5 V ± 5%
Current Consumption, max	30 mA
Temperature Range	0 ... + 50 °C
Protection	IP54
Deflection at max Load	0,1 mm
Material of Body	Stainless Steel
Cable	
- Type	LifYDY 7 x 0,05
- Length	2 m

Wiring diagram



Notice:

- Do not connect SS, CLK and MOSI
- Connect SHIELD to earth or to the housing of device