

Data Sheet for Joysticks

Thumb Joystick

Series TRY14



- Contactless Hall Sensors
- Optionally with Pushbutton function in handle
- Mounting option Threaded housing
- Waterproof, IP class 68 (1 metre) / IP69K

The TRY14 series offers proportional miniature-size thumb joysticks with Hall sensors for long durability and enduring signal quality. Signal output is available in different versions, like dual output or PWM output. The size of this joysticks can be compared with widely used gamepads, but integrated into an industrial-suited housing with a reliable mechanism. Typical applications range from remote controls, arm rest integration or integration into larger joystick handles to swivel arms.

Technical Data Joystick

Sensor	Hall Effect
Power Supply	5 VDC ±0,5 VDC transient free
Resolution	1,22 mV
Return to Center Voltage Tolerance	±200 mV
Expected Life	1 million cycles
Output Signal	0..5 V / 0,5..4,5 V / 0,25..4,75 V / further options see page 2
Mechanical Angle of Movement X-Y-Axis	50°
Operation Force X-Y-Axis	3,1 N ± 0,5 N
Max. Force applied vertical	200 N (on handle)
Max. Force applied horizontal	150 N (on handle)
Operating Temperature	-40°C.. 85°C
Storage Temperature	-40°C..+85°C
Sealing	IP68 / IP69K (sealing of panel opening excluded)
Panel thickness	max. 2,03 mm

Technical Data Pushbutton, Handle F

Electrical life	100.000 cycles
Rating	50 mA, 12 VDC
Terminal	Brass with silver plating
Contact resistance	100 mΩ max.
Insulation resistance	100 MΩ min. 500 VDC
Dielectric strength	250 VAC / 1 minute
Contact arrangement	1 pole 1 throw
Operation Force	6,7 N
Stop strength	Max. 29,4 N vertical static load for 15 seconds
Operating Temperature	-25°C..+70°C
Storage Temperature	-30°C..+85°C
Vibration resistance	MIL-STD-202F METHOD 201A
Shock resistance	MIL-STD-202F METHOD 213B

Data Sheet for Joysticks

Thumb Joystick

Series TRY14

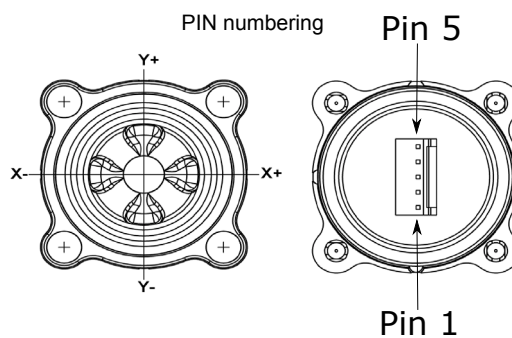
Connection

Function	Wire Color ⁽¹⁾	TE Connector Standard ⁽²⁾	TE Connector Dual Output ⁽³⁾
Ground & Pushbutton Common	Black	Pin 4	Pin 2
Supply +5 VDC	Red	Pin 2	Pin 5
Output X-Axis	Blue	Pin 3	Pin 3
Output X-Axis Dual Output	Blue/White	-	Pin 7
Output Y-Axis	Yellow	Pin 1	Pin 6
Output Y-Axis Dual Output	Yellow/Black	-	Pin 4
Pushbutton (Handle F)	Orange	Pin 5	Pin 1
Ground redundant Dual Output	Black/White	-	-
Supply redundant Dual Output	Red/White	-	-

⁽¹⁾ Wire AWG22 or AWG28 (ref. to Order Description)

⁽²⁾ 5 position Connector TE 3-647166-5, pitch 2,54 mm

⁽³⁾ 7 position Connector TE 3-647166-7, pitch 2,54 mm



HANDLE F WITH PUSHBUTTON



METAL THREADED HOUSING



PLASTIC THREADED HOUSING

Data Sheet for Joysticks

Thumb Joystick

Series TRY14

Order Description									
Series	TRY14								
Axes									
1 Axis (*)		1 (*)							
1 Axis with Pushbutton (*)		6 (*)							
2 Axes		2							
2 Axes with Pushbutton		3							
Mounting Options									
Rubber Boot without Bezel (*)			5 (*)						
Rubber Boot, drop-in mounting			6						
Rubber Boot, below panel mounting			7						
Metal threaded housing (*)			8 (*)						
Plastic threaded housing (*)			9 (*)						
Spring Return				1					
Handles									
Handle A					A				
Handle F with Pushbutton (not with Output 2 & 4)					F				
Handle B (*)					B (*)				
Handle C (*)					C (*)				
Handle D (*)					D (*)				
Handle E (*)					E (*)				
Handle G (not Mounting option 8 & 9) (*)					G (*)				
Handle H Low Profile (not Mounting option 8 & 9) (*)					H (*)				
Limiters									
Square						1			
X-Y Guided Feel (*)						4 (*)			
X-Y „Plus +“ (*)						5 (*)			
Single Axis X (*)						8 (*)			
Single Axis Y (*)						9 (*)			
Output Signal									
0..5,0 V (rail to rail)							1		
0,25..4,75 V							2		
0,5..4,5 V							3		
1..4 V (*)							4 (*)		
PWM (*)							P (*)		
USB (1) (*)							5 (*)		
USB Mouse-Emulation (1) (*)							6 (*)		
Output Signal Options									
none								0	
Dual parallel (2) (*)								1 (*)	
Dual parallel redundant (3) (*)								2 (*)	
Dual inverted (2) (*)								3 (*)	
Dual inverted redundant (3) (*)								4 (*)	
Connection									
Wires AWG 28, 25 cm									1
Wires AWG 22, 25 cm									2
TE Connector, pitch 2,54 mm (4) (*)									3 (*)
Devices with Output Signal „5“ and „6“ (USB) (1)									--

(*) upon request

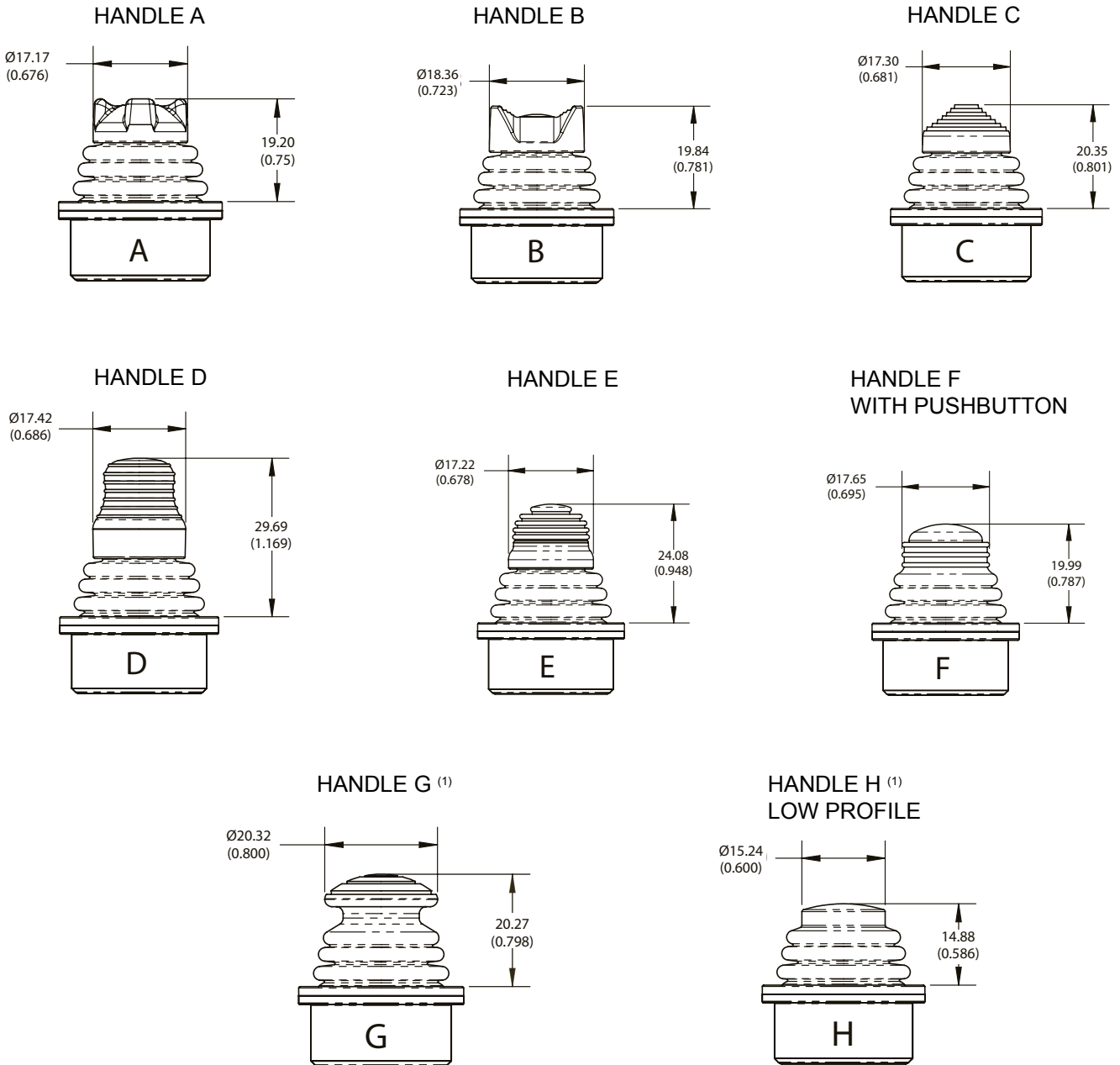
(1) Overmold Cable with USB Male Type connector, length ca. 1,75 m

(2) Common Power Supply of Signals

(3) Individual Power Supply for each Output Signal; only in combination with connection "1" or "2"; not in combination with handle option "F"

(4) 5- resp. 7-position, ref. to Sect. „Wiring“

Technical Drawings HANDLES

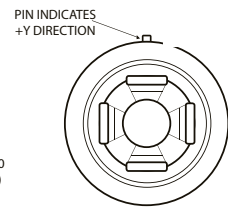
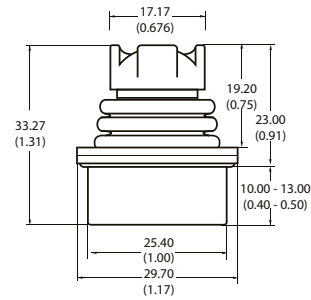


⁽¹⁾ Handles G and H not compatible to Mounting option 8 „Threaded housing“

All Dimensions in mm (inch)

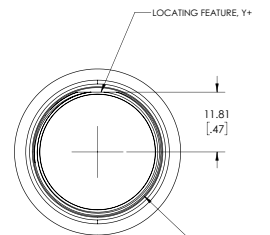
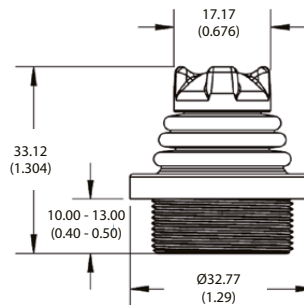
Technical Drawing DIMENSIONS

PLASTIC HOUSING

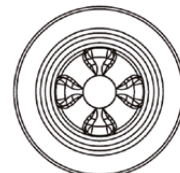


Top view

METAL THREADED HOUSING

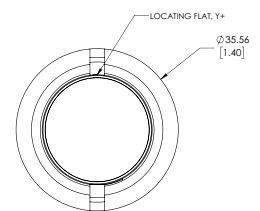
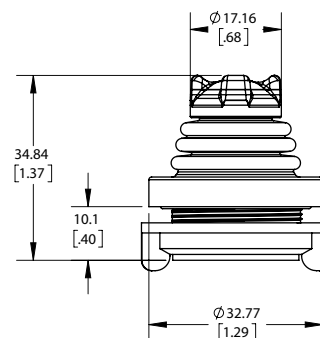


Bottom view

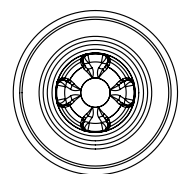


Top view

PLASTIC THREADED HOUSING



Bottom view



Top view

All Dimensions in mm (inch)

Data Sheet for Joysticks

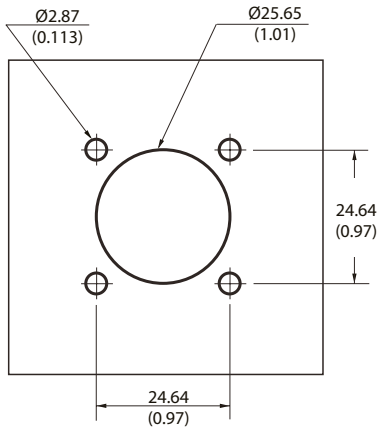
Thumb Joystick

Series TRY14

Technical Drawing MOUNTING CUTOUT

PLASTIC HOUSING - DROP-IN (MOUNTING OPTION 6)

=> Installation depth below panel 16,02 mm

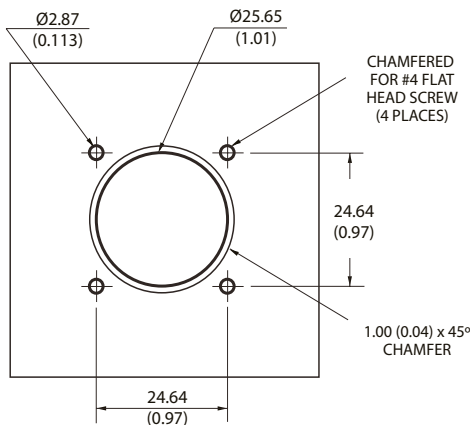


4 x PUSH IN CONNECTORS



PLASTIC HOUSING - REAR MOUNT (MOUNTING OPTION 7)

=> Max. Panel Thickness 2,032 mm



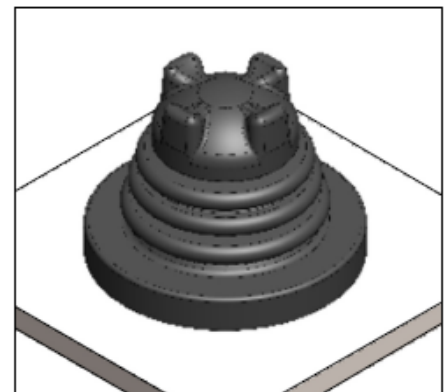
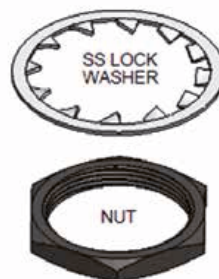
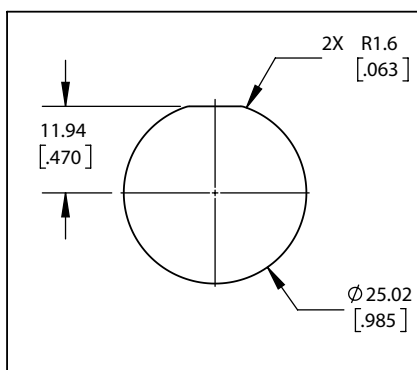
4 x 1/2 FH SS PHIL SCREW



THREADED HOUSING - DROP-IN (MOUNTING OPTIONS 8 & 9)

=> Installation depth below panel 14,55 mm

=> recommended torque 13,6 Nm



All Dimensions in mm (inch)