

Data Sheet for Precision adjustment Knobs

Precision adjustment Knob with Locking mechanism

Series SKT



The knob SKT in Ø26 mm housing with 50 dashes, revolution counter (10rev.) and locking mechanism

- Knob with 50 dashes
- Revolution counter for 10 revolutions
- With locking mechanism
- For 3..6,35 mm shaft

The SKT series allows a very precise manual handling with up to 10 revolutions (50 dashes per revolution). The lock prevents unintentional adjustments.

Data adjustment knob

Number of full revolutions	up to 10
Resolution of the scale	Scale with 50 dashes and 10 revolution indication window
Brake available	yes
For shaft diameter	3 mm / 3,175 mm / 4 mm / 6 mm / 6,35 mm
Housing diameter	26 mm
Housing depth	27 mm (with knob)
Knob diameter	Conical from 12,5 mm (front) to 14 mm (end)
Operating temperature range	-30..+60°C
Storage temperature range	-30..+60°C
Protection grade (IEC 60529)	IP40
Colour housing	Silver or black
Colour adjustment knob	Black with white scale
Material knob/housing	Plastic and metal
Mass	ca. 20 g
Mounting parts included in delivery	Mounting adaptor, hexagon socket wrench

Bestellschlüssel

Description		Selection: standard=black/bold, possible options=grey/cursive			
Series	SKT				
For shaft diameter:					
Ø 6,00		6 MM			
Ø 6,35		1/4"			
Option Ø 3		3 MM			
Option Ø 3,175		3,17 MM			
Option Ø 4		4 MM			
Housing colour:					
Silver			-		
Option black			SCHWARZ		

For higher quantities or on-going demand, additional options are available as described below on request

For example:

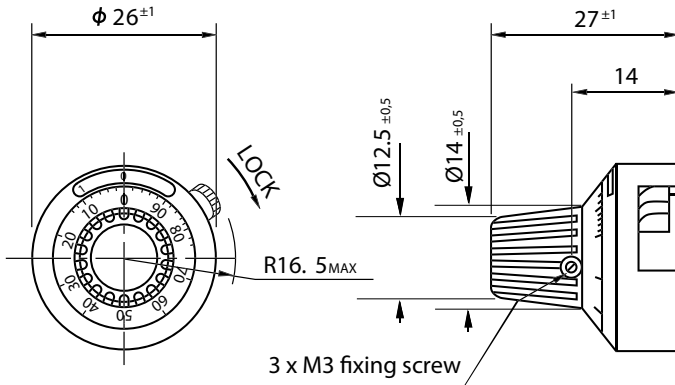
- 5 or 3 revolution indication window

Data Sheet for Precision adjustment Knobs

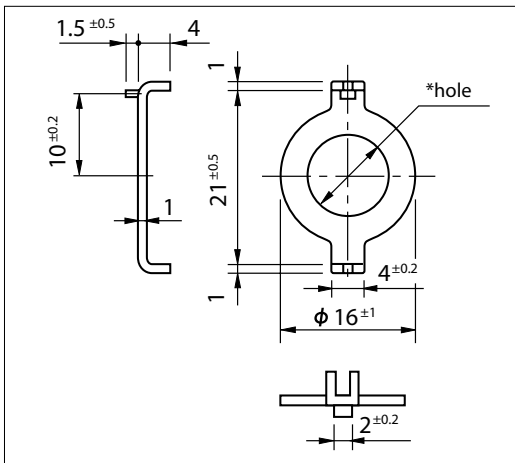
Precision adjustment Knob with Locking mechanism

Series SKT

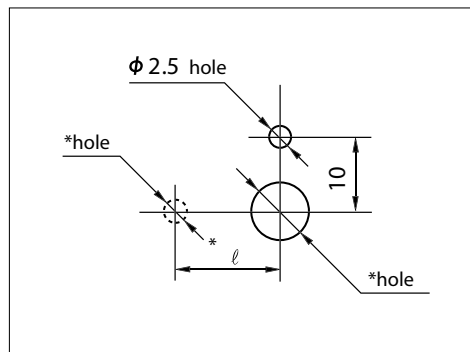
Drawing



Mounting Adaptor



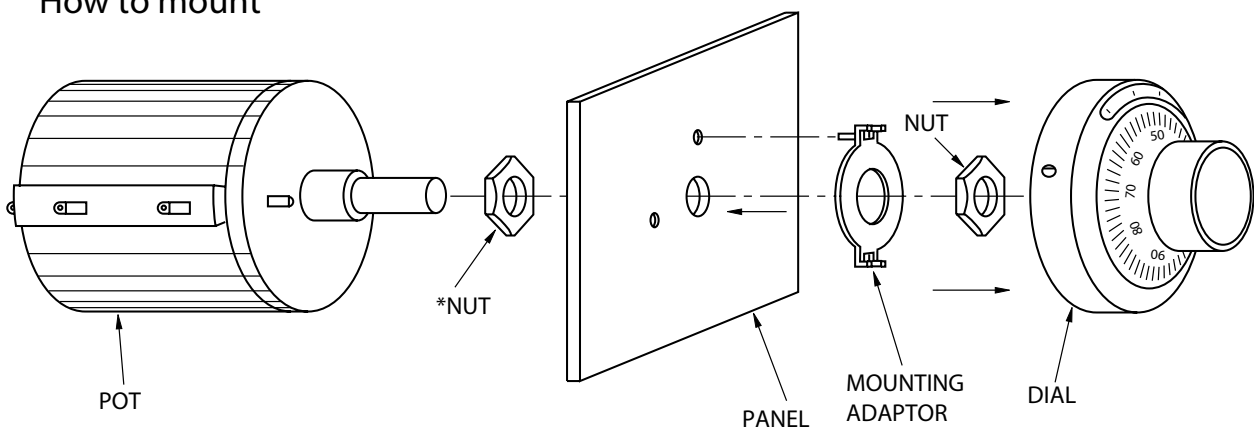
Panel Arrangements



Note: The diameter of *hole is depending on the diameter of potentiometer to be mounted

Dimensions in mm

How to mount



Note: the nut with * is not always used. It depends on the kind of potentiometer and thickness of the panel.