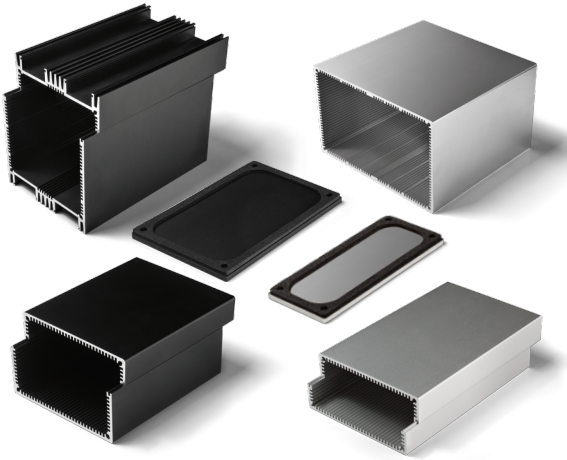


# Data Sheet for Aluminium Housing

Electronics aluminium housing for euroboards

Series EUKAP K



The series EUKAP K for euroboards is available in seven housing heights of 40, 60, 80, 100, 120, 140, 160 mm with a width of 100 mm. The individual profiles can be combined with each other, so that a great diversity of variants is created (2 profiles with external cooling ribs). The housings are available in black anodised aluminium or anodised aluminium. The protection class IP65 can be achieved with end plates and sealing elements.

Data Profile	KK	KK-34,5	P1	P1-43,5	P1-63,5	P2	203G
Internal dimensions hight	81 mm	21 mm	81 mm	41 mm	61 mm	21 mm	160 mm
Internal dim. PCB width	100 mm						
Groove x 2 vertical	21	4	20	10	15	4	29
Groove horizontal	7	7	29	29	29	29	42
Groove thickness	1,7 mm	1,65 mm	1,7 mm	1,7 mm	1,7 mm	1,7 mm	1,7 mm
External dim. hight	94,5 mm	34,5 mm	83,5 mm	43,5 mm	63,5 mm	23,5 mm	165 mm
External dim. width	105 mm						
Cooling fins external	yes	yes	no	no	no	no	no
Material	Aluminium EN AW-6060 T66						
Material thickness	1,6 mm						
Colour	Aluminium black or nature anodised						
Mass ca.	3,35 kg/m	2,13 kg/m	2,67 kg/m	1,83 kg/m	2,26 kg/m	1,42 kg/m	5,3 kg/m

Data End Plates	165	145	125	105	85	65	45
End plates hight	165 mm	145 mm	125 mm	105 mm	85 mm	65 mm	45 mm
End plates width	105 mm	105 mm	105 mm	105 mm	105 mm	105 mm	105 mm
Mass ca.	130 g	115 g	100 g	85 g	70 g	50 g	35 g
Material	Aluminium AlMg1						
Material thickness	3 mm						
Colour	Aluminium black or nature anodised						
Sealing	Cellular rubber ZG/GD 2,5 mm one-sided SKVL-M, shore ca. 50 black						
Mass sealing ca.	15 g	13 g	11 g	9 g	7 g	6 g	4 g
Feed for screws	2 x 4 screws M4 x 12 included in delivery						
Protection class with sealing	IP65						

# Data Sheet for Aluminium Housing

Electronics aluminium housing for euroboards

Series EUKAP K

## Order Code

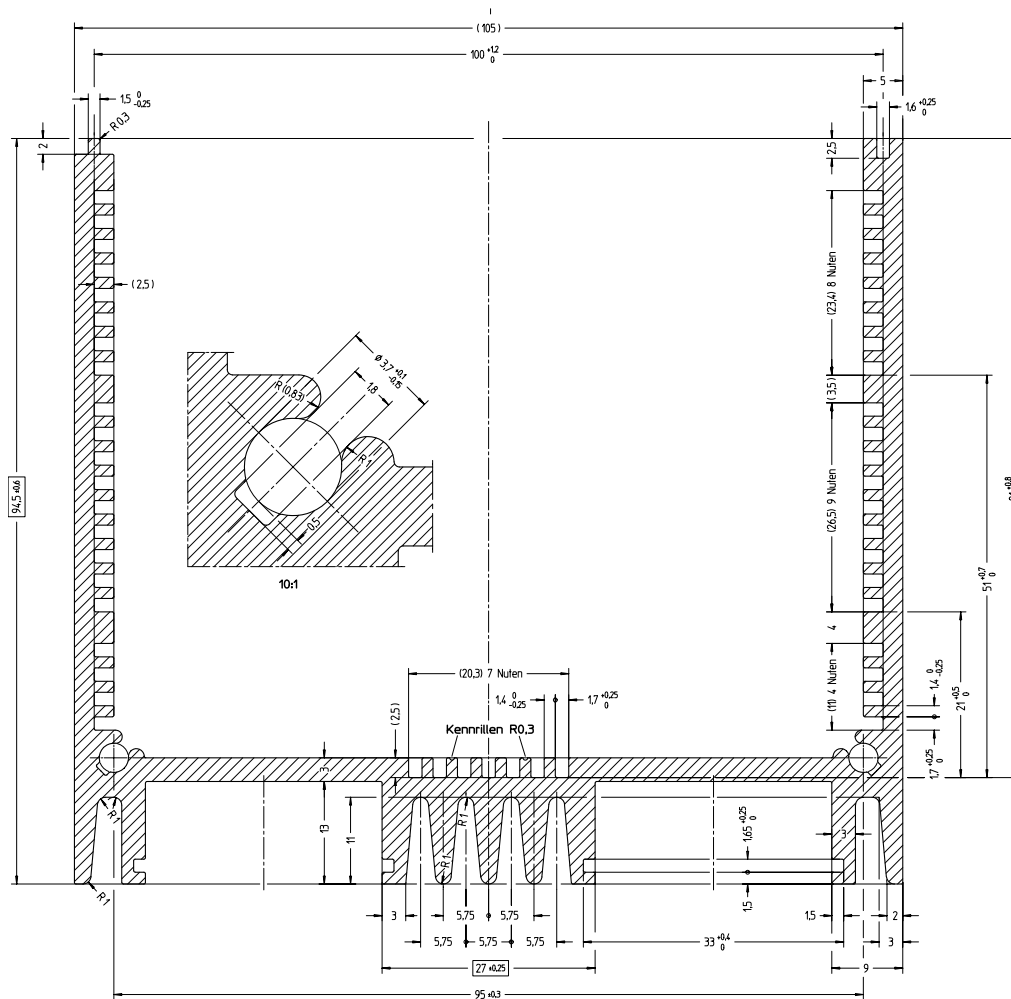
Description	Selection: standard=black/bold, possible options=grey/cursive				
Series:	EUKAP K				
<i>Combinations with a height of 160 mm internal dim.:</i>					
<b>KK + KK</b>		<b>201</b>			<b>165</b>
<b>KK + P1</b>		<b>202</b>			<b>165</b>
<b>P1 + P1</b>		<b>203</b>			<b>165</b>
<b>203G (Hohlprofil)</b>		<b>203G</b>			<b>165</b>
<i>Combinations with a height of 140 mm internal dim.:</i>					
<b>KK + P1-63,5</b>		<b>212</b>			<b>145</b>
<b>P1 + P1-63,5</b>		<b>213</b>			<b>145</b>
<i>Combinations with a height of 120 mm internal dim.:</i>					
<b>KK + P1-43,5</b>		<b>214</b>			<b>125</b>
<b>P1 + P1-43,5</b>		<b>215</b>			<b>125</b>
<b>P1-63,5 + P1-63,5</b>		<b>222</b>			<b>125</b>
<i>Combinations with a height of 100 mm internal dim.:</i>					
<b>KK + P2</b>		<b>204</b>			<b>105</b>
<b>P1 + P2</b>		<b>205</b>			<b>105</b>
<b>KK + KK-34,5</b>		<b>209</b>			<b>105</b>
<b>P1-63,5 + P1-43,5</b>		<b>223</b>			<b>105</b>
<i>Combinations with a height of 80 mm internal dim.:</i>					
<b>P2 + P1-63,5</b>		<b>216</b>			<b>85</b>
<b>KK-34,5 + P1-63,5</b>		<b>220</b>			<b>85</b>
<b>P1-43,5 + P1-43,5</b>		<b>224</b>			<b>85</b>
<i>Combinations with a height of 60 mm internal dim.:</i>					
<b>P2 + P1-43,5</b>		<b>217</b>			<b>65</b>
<b>KK-34,5 + P1-43,5</b>		<b>221</b>			<b>65</b>
<i>Combinations with a height of 40 mm internal dim.:</i>					
<b>P2 + P2</b>		<b>206</b>			<b>45</b>
<b>P2 + KK-34,5</b>		<b>211</b>			<b>45</b>
<b>KK-34,5 + KK-34,5</b>		<b>225</b>			<b>45</b>
<b>Profile length:</b>					
<b>120 mm</b>			<b>120</b>		
<b>160 mm</b>			<b>160</b>		
<b>200 mm</b>			<b>200</b>		
<i>Option custom length ≤3000 mm</i>			<i>xxxx</i>		
<b>Profile colour:</b>					
<b>Aluminium black anodised</b>				<b>SW</b>	
<b>Aluminium nature</b>				<b>BL</b>	
<b>End plates fits for combination - colour depends on profile colour</b>					<b>see above</b>
<b>End plates seal:</b>					
<b>Standard cellular rubber (shore ca. 50)</b>					<b>-</b>
<i>Option foam rubber seal cord grey</i>					<i>DS</i>

### For higher quantities or on-going demand, additional options are available as described below on request

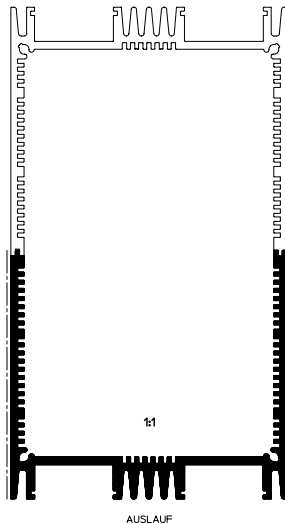
For Example: Processing of the housings such as drilling, punching, milling etc. as well as printing, customer-specific colours according to customer requirements. Customized processing of end plates, other thicknesses and materials. Chromate the bare housing and plates and more.

**Drawing**

**Profile KK**

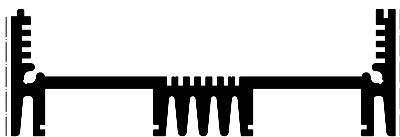
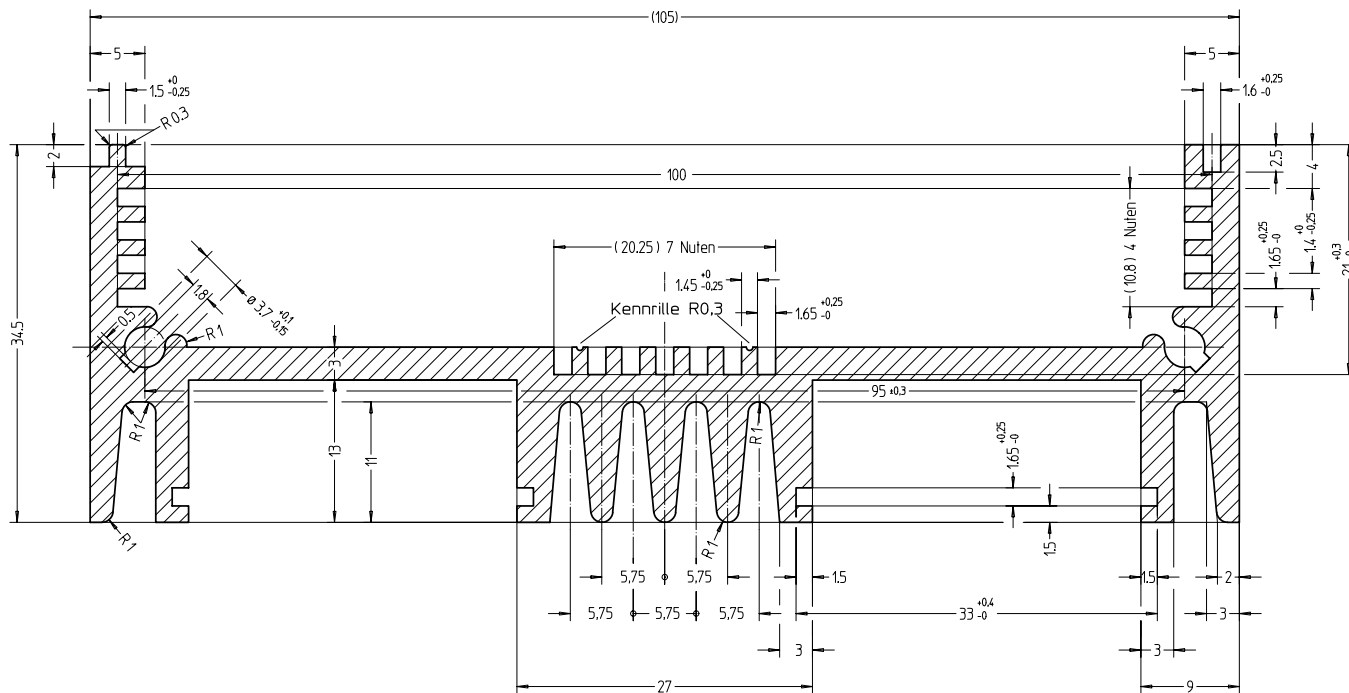


muss mit sich selbst passen



Drawing

Profile KK-34,5



1:1

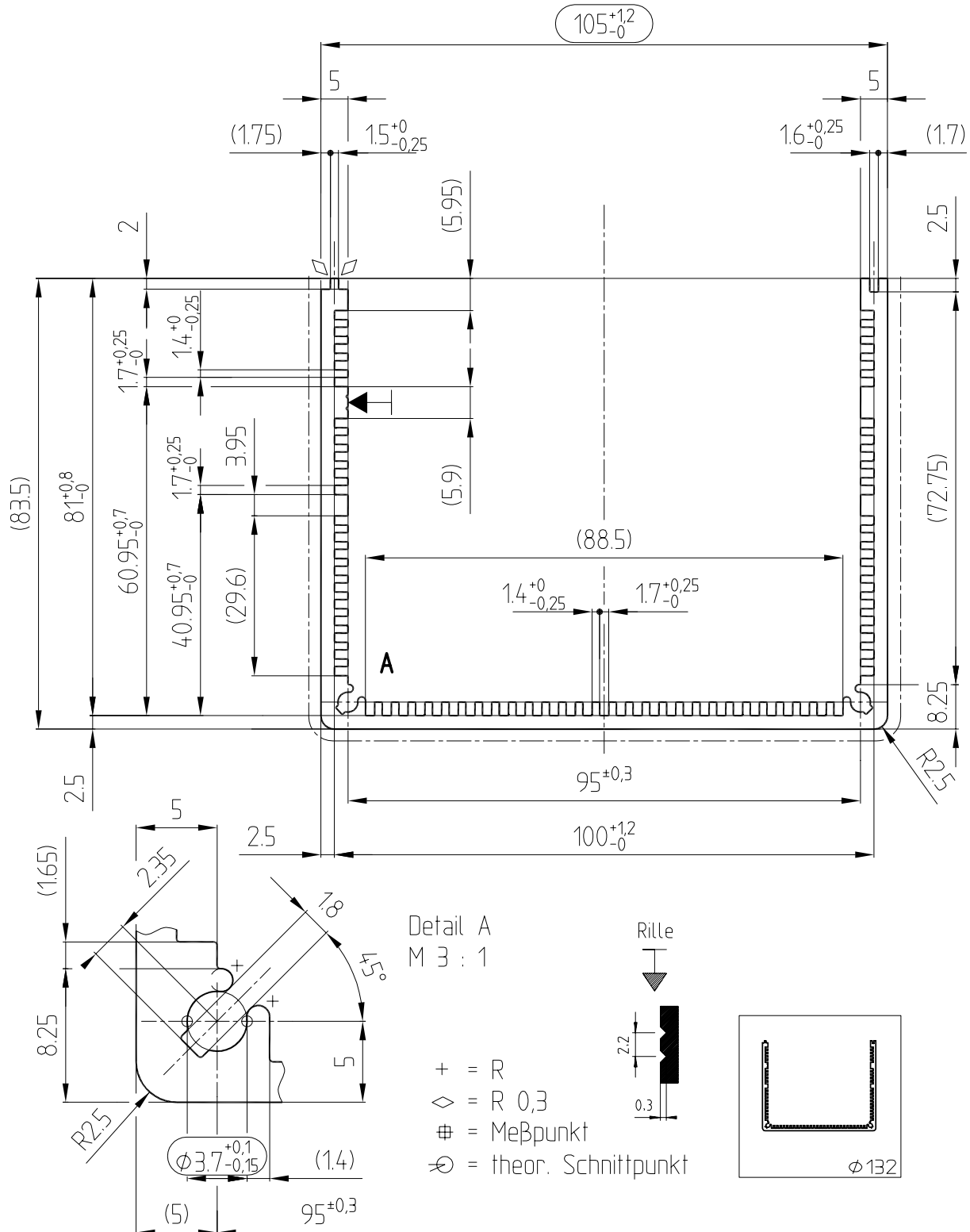
# Data Sheet for Aluminium Housing

Electronics aluminium housing for euroboards

Series EUKAP K

## Drawing

### Profile P1



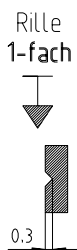
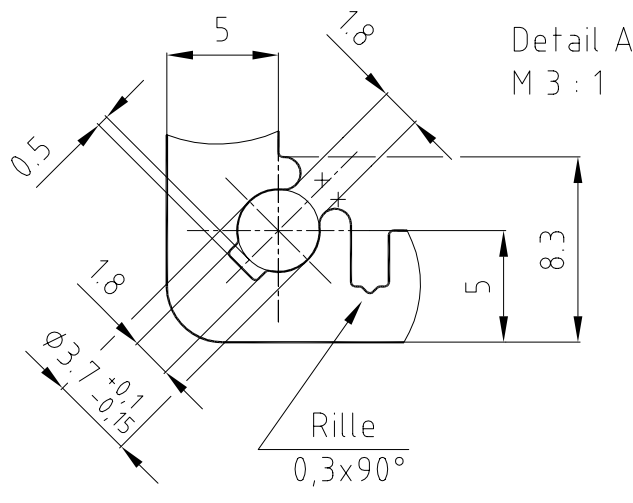
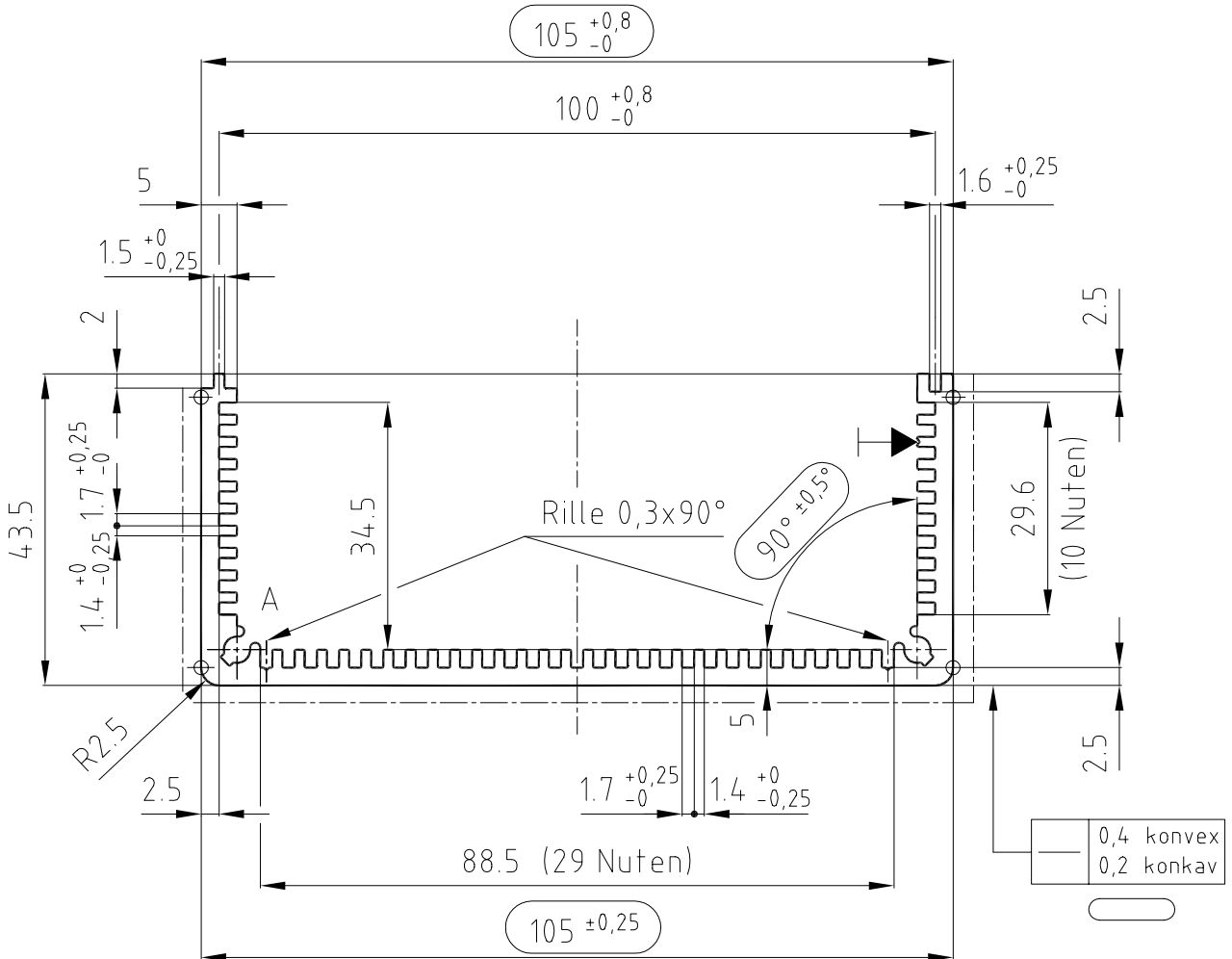
# Data Sheet for Aluminium Housing

Electronics aluminium housing for euroboards

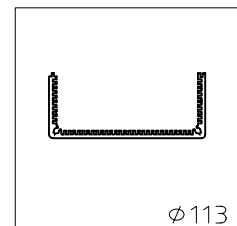
Series EUKAP K

## Drawing

### Profile P1-43,5



+ = R



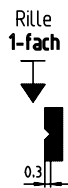
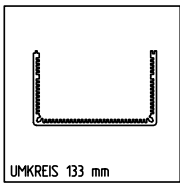
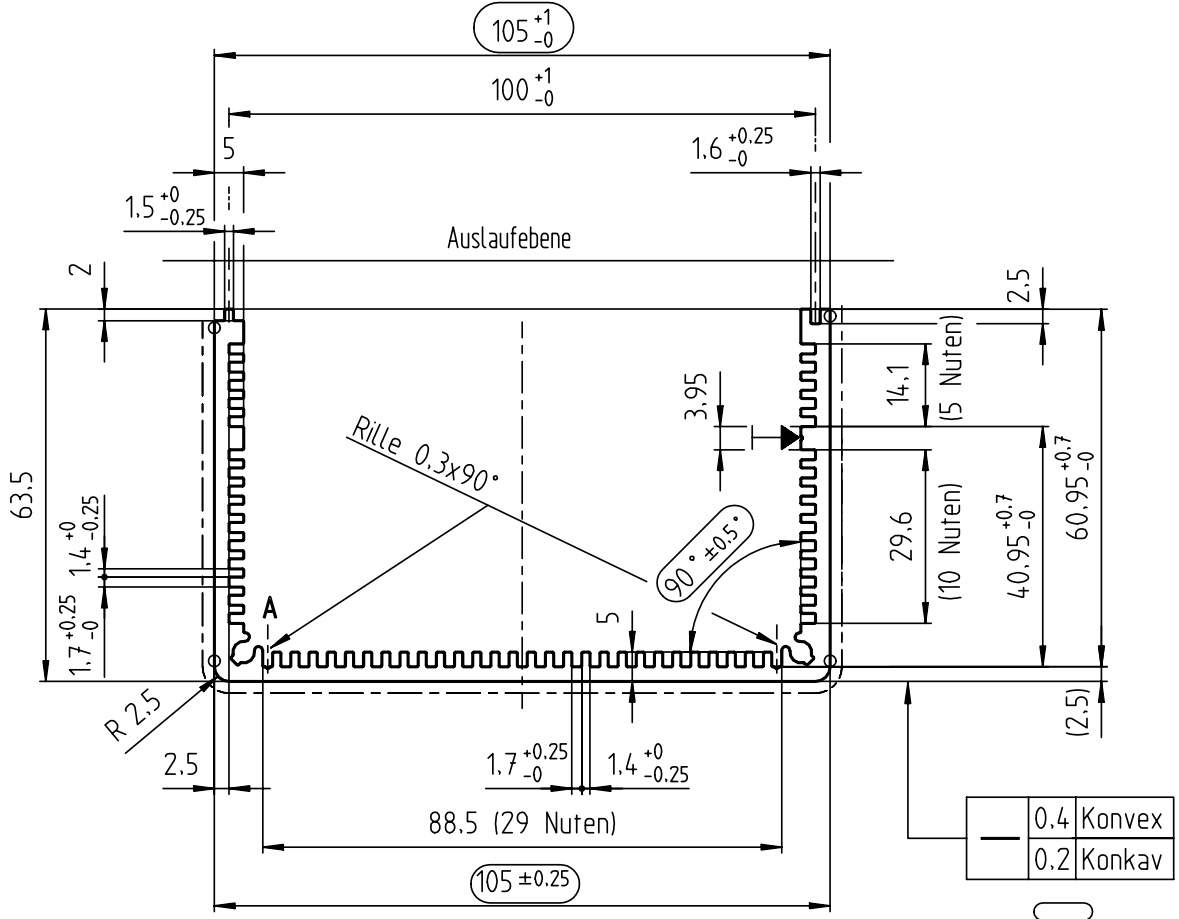
# Data Sheet for Aluminium Housing

Electronics aluminium housing for euroboards

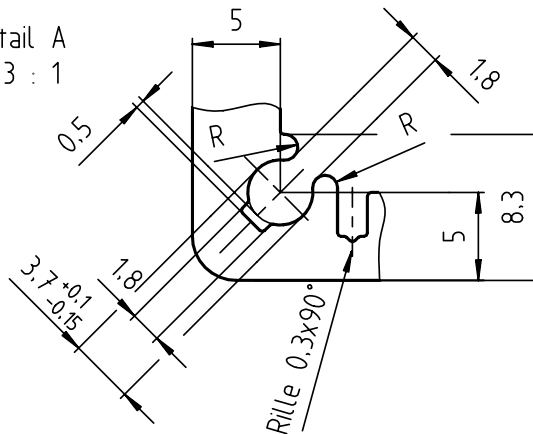
Series EUKAP K

## Drawing

### Profile P1-63,5



Detail A  
M 3 : 1



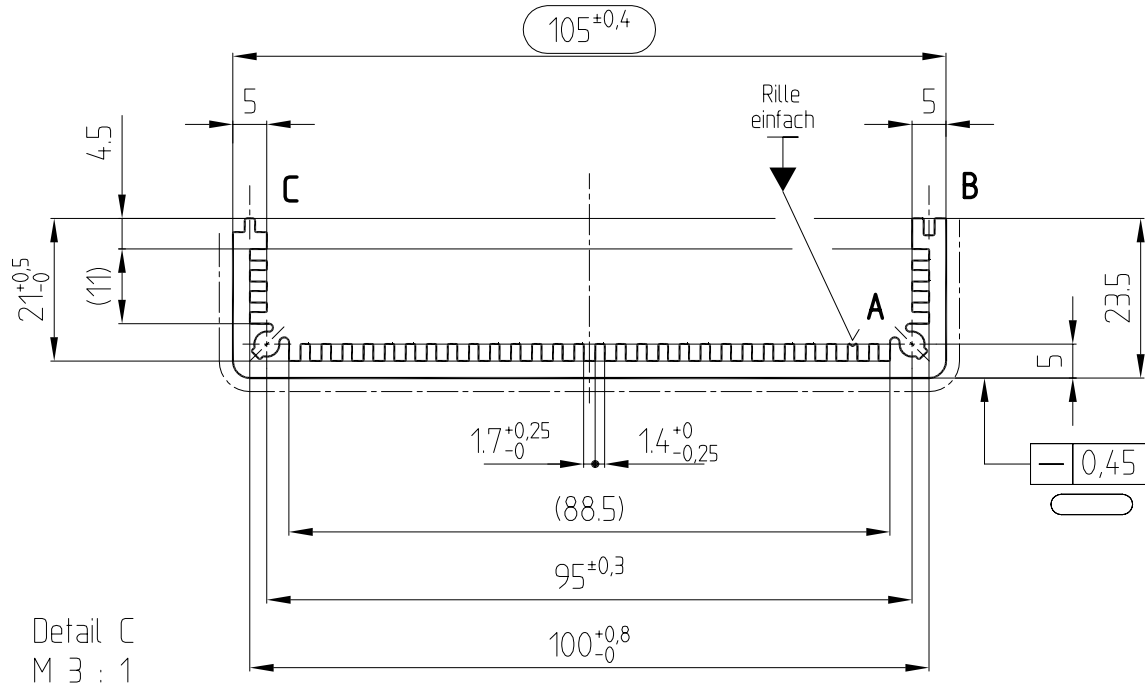
# Data Sheet for Aluminium Housing

Electronics aluminium housing for euroboards

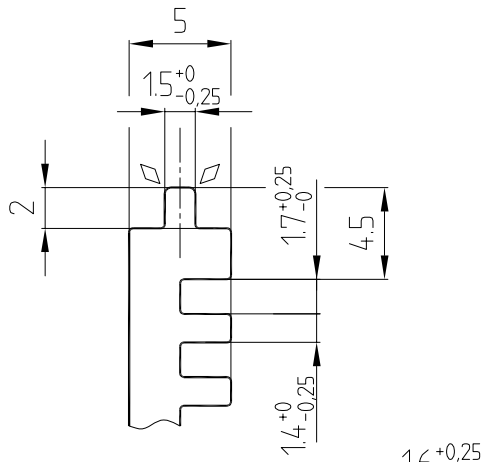
Series EUKAP K

## Drawing

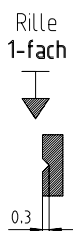
### Profile P2



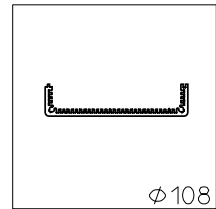
Detail C  
M 3 : 1



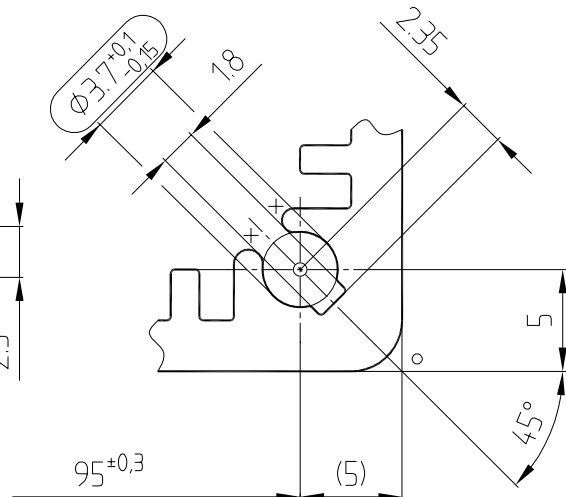
Detail B  
M 3 : 1



- ⊙ = theor. Schnittpunkt
- ◇ = R 0,3
- = R 2,5
- + = R



Detail A  
M 3 : 1





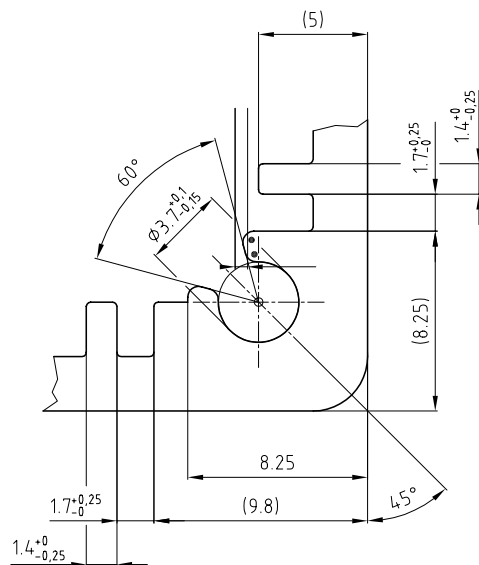
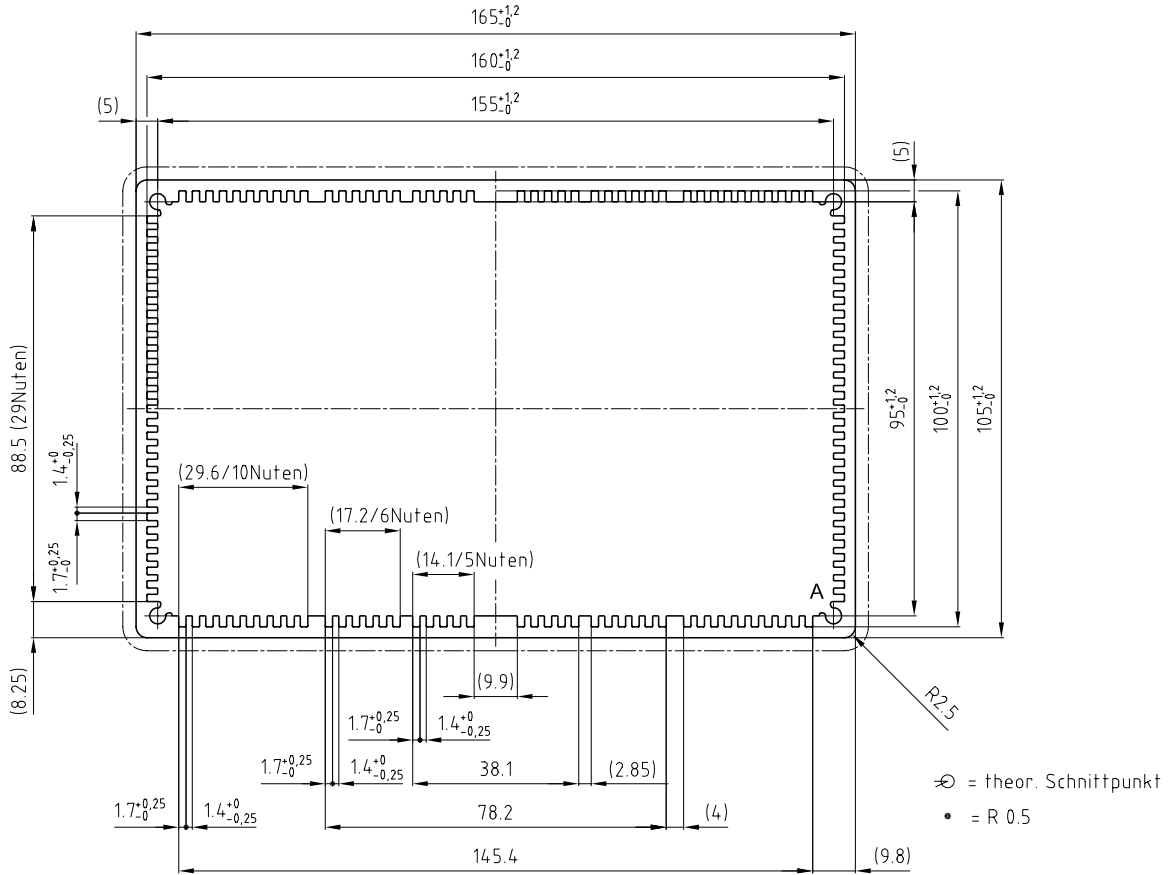
# Data Sheet for Aluminium Housing

Electronics aluminium housing for euroboards

Series EUKAP K

## Drawing

### Profile 203G



Detail A  
M 5 : 1

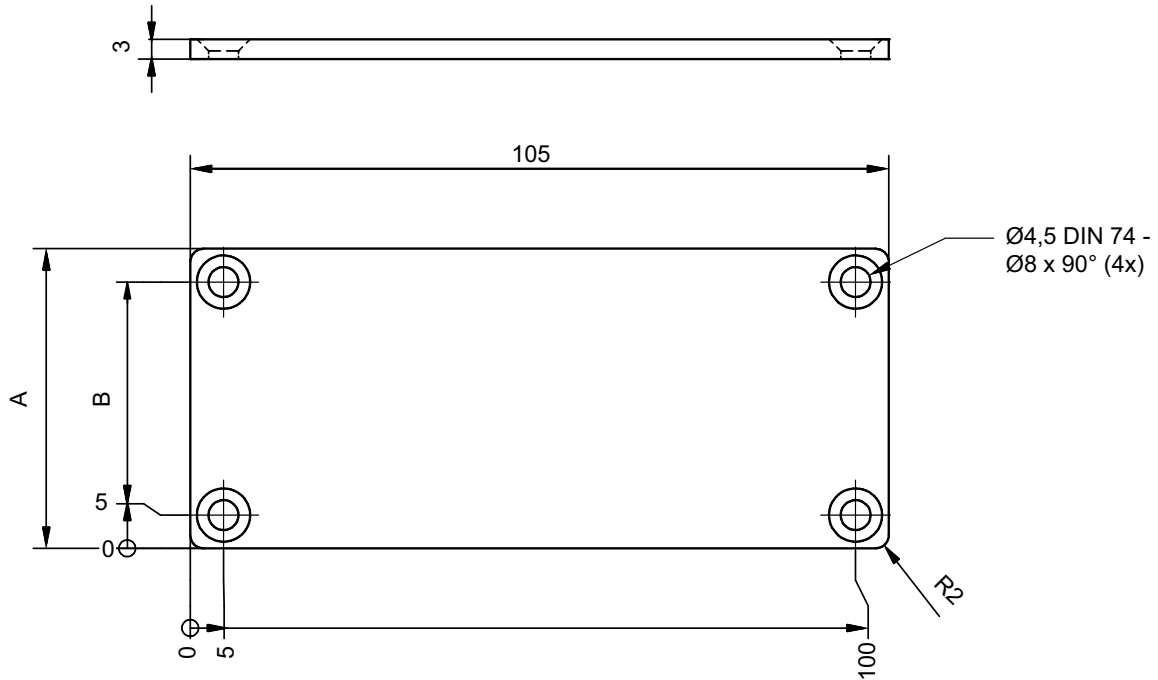
# Data Sheet for Aluminium Housing

Electronics aluminium housing for euroboards

Series EUKAP K

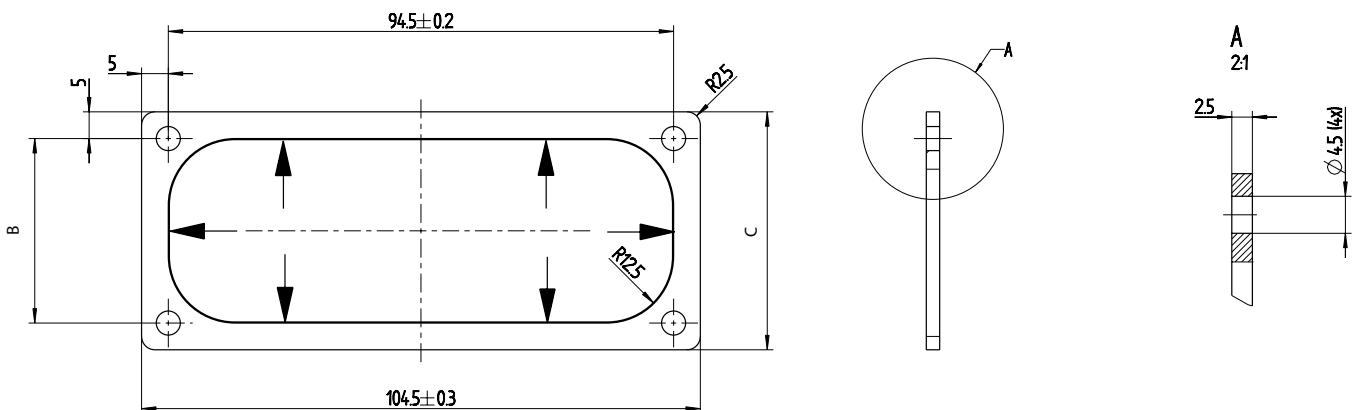
## Drawing

### End plates



Dimensions	165	145	125	105	85	65	45
A [mm]	165	145	125	105	85	65	45
B [mm]	155	135	115	95	75	55	35

### Seal



Dimensions	155	135	115	95	75	55	35
B [±0,2 mm]	155	135	115	95	75	55	35
C [±0,3 mm]	163,5	144,5	114,5	94,5	84,5	64,5	44,5