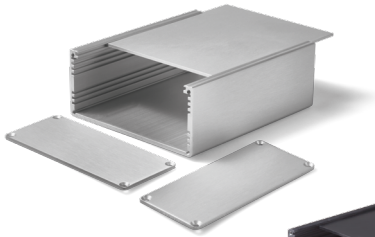


Data Sheet for Aluminium Housing

Elektronik aluminium housing

Series EUKAP 45/55



EUKAP 45



EUKAP 55

The EUKAP 45/55 series consists of solid aluminium profile housing with slide-in cover or base. Series EUKAP 45 is suitable for euroboards with a width of 100 mm of max. 1.6 mm PCB thickness and EUKAP 55 for Europa cards with a width of 164 mm of max. 1.7 mm circuit board thickness. The surface is anodized aluminium or black anodized. The kit consists of the U-profile, cover and 2 end plates including screws.

Data Profile	EUKAP 45	EUKAP 55
External dimensions height	45 mm	55 mm
External dimensions width	104 mm	170 mm
Internal dimensions height	37 mm	47 mm
Internal dimensions width	100 mm	164 mm
PCB groove x 2	6	8
PCB material thickness	max. 1,6 mm	max. 1,7 mm
Material thickness profile	3 mm	4 mm
Material thickness cover	2 mm	
Material	AlMgSi 0,5 F22	
Colour	Aluminium nature anodised or black anodised	

Data end plates	EUKAP 45	EUKAP 55
Material	AlMg3	
Colour	Aluminium nature anodised or black anodised	
Material thickness	2,5 mm	3 mm
Feed for screws	M3 x 8 DIN7991, galvanized, Cr-6 free 8 pieces included in delivery	Screws 10 pieces included in delivery

Data Sheet for Aluminium Housing

Elektronik aluminium housing

Series EUKAP 45/55

Order Code

Description

Selection: standard=black/bold, possible options=grey/cursive

Series:

Outer dimensions hight/width: 45/104 mm

Outer dimensions hight/width: 55/170 mm

EUKAP 45

EUKAP 55

Profile standard length EUKAP 45:

Option 80 mm

120 mm

160 mm

Option custom length in mm (max. 1000)

80

120

160

XXXX

Profile standard length EUKAP 55:

120 mm

160 mm

200 mm

Option custom length in mm (max. 1000)

120

160

200

XXXX

Profile colour (incl 2 end plates, color depends on profile):

Aluminium nature anodised

Aluminium black anodised

A

N

For higher quantities or on-going demand, additional options are available as described below on request

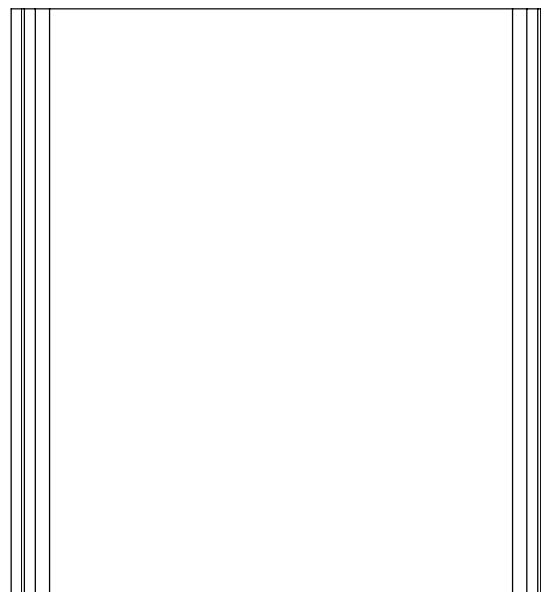
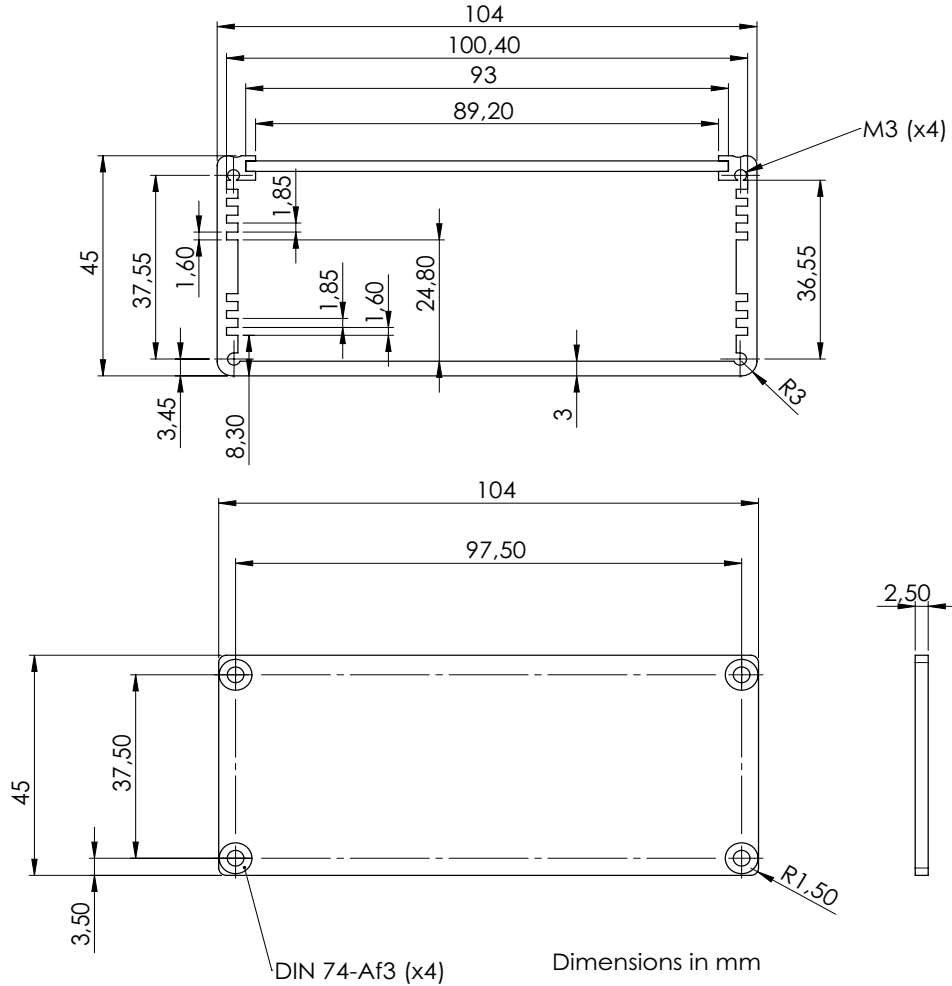
For Example: Processing of the housings such as drilling, punching, milling etc. as well as printing. Customized processing of end plates and more.

Data Sheet for Aluminium Housing

Elektronik aluminium housing

Series EUKAP 45/55

Drawing EUKAP 45



Data Sheet for Aluminium Housing

Elektronik aluminium housing

Series EUKAP 45/55

Drawing housing EUKAP 55

