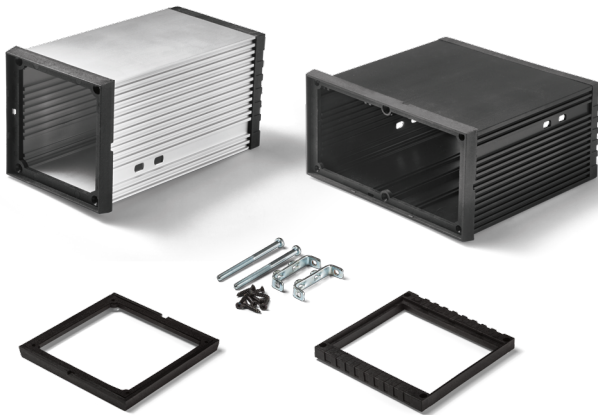


Data Sheet for Aluminium Housing

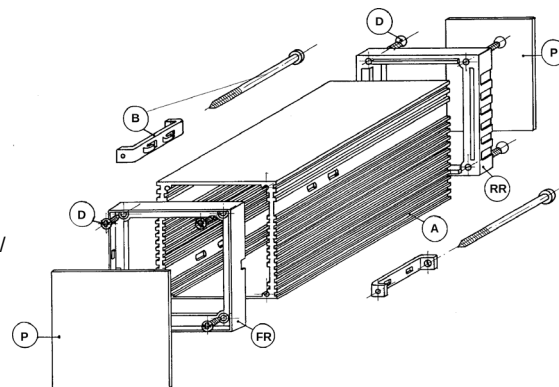
Electronics DIN aluminium housing

Series DIN K



The housings are available in 10 different DIN sizes and different lengths. Depending on the type, grooves with max. 2 mm thickness are available for horizontal and vertical PCB mounting. The housings are supplied as a kit consisting of profile, front and rear frame including screws and mounting brackets. The surface of the housing is aluminium natural or black anodized (further optional). The plastic frames are in black. The protection class IP65 can be achieved by suitable seals. End and front panels are available in different materials / colors.

The aluminium housing as a kit includes:
Aluminium profile (A), mounting brackets (B), front and rear frames (FR/RR), screws for frame mounting (D).



Data Profile

Material	ALMgSi 0,5 F22 Mg 0,55
Colour	Aluminium natural anodised or black anodized (further optional)
PCB thickness	max. 2 mm

Profile kind	External dimensions W x H	Internal dimensions W x H	External dim. front frame W x H	External dim. back frame W x H	PCB groove x 2	Profile length
036072	68 x 33 mm	62 x 30 mm	72 x 36 mm	68 x 33 mm	2	80/105 mm
048048	45 x 45 mm	42 x 39 mm	48 x 48 mm	45 x 45 mm	3	119 mm
048096	92 x 44 mm	85 x 40,5 mm	96 x 48 mm	92 x 44 mm	3	124/179 mm
072072	67 x 67 mm	64 x 59,6 mm	72 x 72 mm	67 x 67 mm	9	114/139 mm
096096	90 x 90 mm	86 x 82 mm	96 x 96 mm	90 x 90 mm	14	94/124 mm
072144	138 x 66 mm	130 x 62 mm	144 x 72 mm	138 x 66 mm	≥8	114/139 mm
096192	186 x 90 mm	178 x 86 mm	192 x 96 mm	186 x 90 mm	≥13	124/179 mm
144144	138 x 138 mm	134 x 130 mm	144 x 144 mm	138 x 138 mm	≥20	114/139 mm
144192	182 x 136 mm	175 x 134 mm	192 x 144 mm	182 x 136 mm	>20	124/179 mm
144288	282 x 138 mm	275 x 134 mm	288 x 144 mm	282 x 138 mm	>20	124/179 mm

Data Frame

Material	Plastic
Colour	Black
Feed for screws	8 countersunk screws 2,7 x 12 for all, despite for housing kind 144144, 144192 and 144288 there are 8 screws M4 x 23 included in delivery

Data Mounting Brackets

Material	Metal
Farbe	Silver
Included in delivery	1 pair, despite for housing kind 144144, 144192 and 144288 there are 2 pair

Data Sheet for Aluminium Housing

Electronics DIN aluminium housing

Series DIN K

Order Code

Description		Selection: standard=black/bold, possible options=grey/cursive					
Series:	DIN K						
Profile external dimension W x H:							
68 x 33 mm	036072	80/105					
45 x 45 mm	048048	119					
92 x 44 mm	048096	124/179					
67 x 67 mm	072072	114/139					
90 x 90 mm	096096	94/124					
138 x 66 mm	072144	114/139					
186 x 90 mm	096192	124/179					
138 x 138 mm	144144	114/139					
182 x 136 mm	144192	124/179					
282 x 138 mm	144288	124/179					
Profile length in mm:			see above				
Lengths: 80/94/105/114/119/124/139/179			XXXX				
<i>Option custom length in mm</i>							
Profile colour:							
Aluminium black anodized				N			
Aluminium nature anodized				A			
<i>Optional surface raw material</i>				G			
<i>Optional surface chromated</i>				C			
Frames:							
Incl. plastic front and back frame					-		
<i>Option end plate for front frame:</i>							
<i>Aluminium anodized 1 mm</i>						AA	
<i>Aluminium black anodized 1 mm</i>						AN	
<i>Acrylic glass clear 2 mm</i>						AC	
<i>Acrylic glass red 2 mm</i>						AT	
<i>PVC white 1,5 mm</i>						AP	
<i>PVC black 1,5 mm</i>						AS	
<i>Both sides chromated</i>						ABC	
<i>Visible surface anodized / one-sided chromated</i>						AC/E	
<i>Plate with holes (use without frame)</i>						B	
<i>Option end plate for back frame:</i>							
<i>Aluminium anodized 1 mm</i>							PA
<i>Aluminium black anodized 1 mm</i>							PN
<i>Acrylic glass clear 2 mm</i>							PC
<i>Acrylic glass red 2 mm</i>							PT
<i>PVC white 1,5 mm</i>							PP
<i>PVC black 1,5 mm</i>							PS
<i>Both sides chromated</i>							PBC
<i>Visible surface anodized / one-sided chromated</i>							PC/E
<i>Plate with holes (use without frame)</i>							B
<i>Option end plate seal:</i>							
<i>Neoprene gasket 1,5 mm one-sided pasted Shore ca. 15</i>							NE
<i>Natural rubber seal mm Shore ca. 50</i>							RGD
<i>Foam rubber seal cord grey</i>							DS

For higher quantities or on-going demand, additional options are available as described below on request

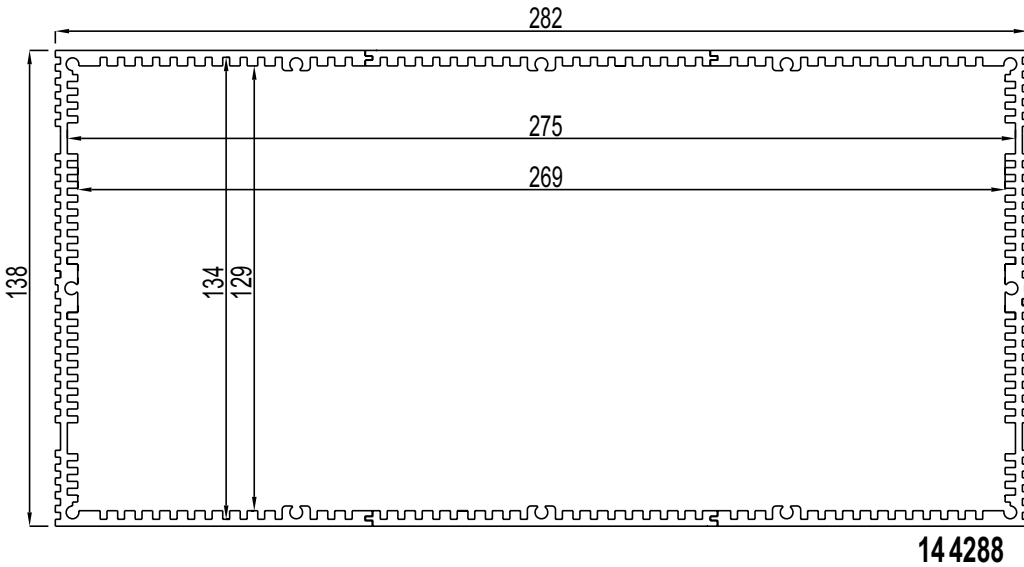
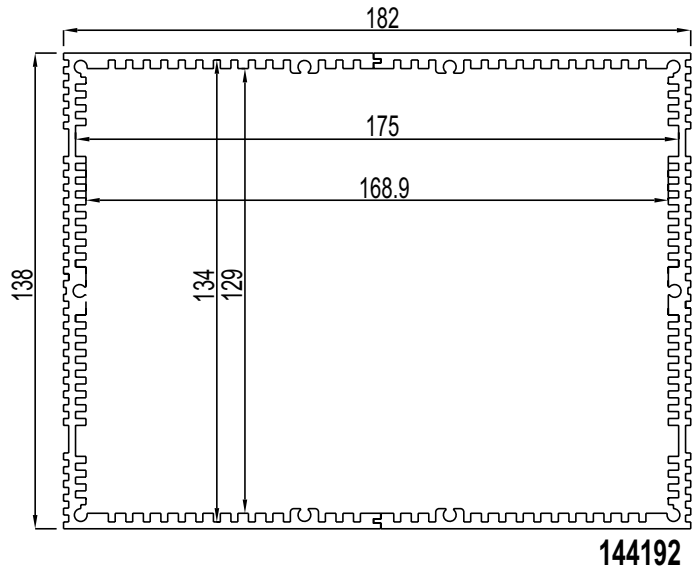
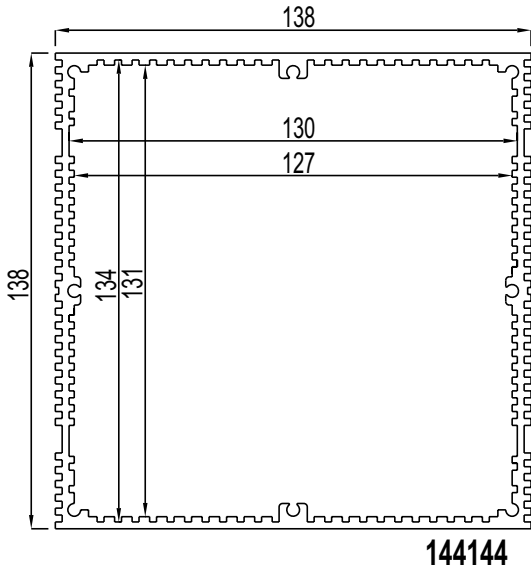
For Example: Processing of the housings such as drilling, punching, milling etc. as well as printing, customer-specific colours according to customer requirements. Customized processing of end plates, other thicknesses and materials. Chromate the bare housing and plates and more.

Data Sheet for Aluminium Housing

Electronics DIN aluminium housing

Series DIN K

Drawing

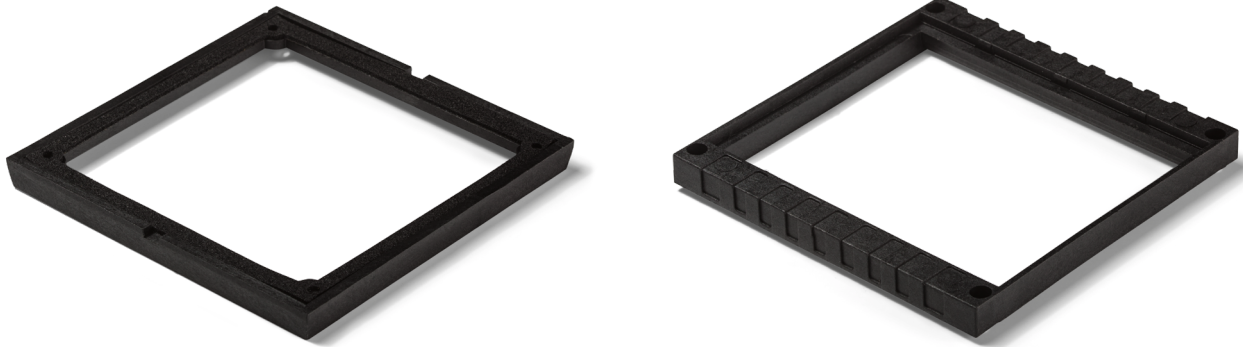


Data Sheet for Aluminium Housing

Electronics DIN aluminium housing

Series DIN K

Front and back frame (example pictures)



Mounting brackets and screws (example picture)

